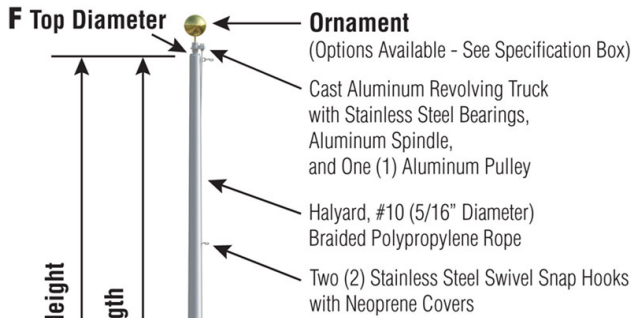


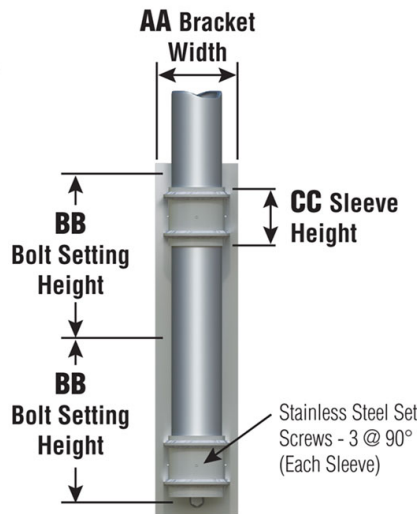


Vertical Wall Mount WA8
Vertical Single Revolving
Rope Halyard
Vertical Wall Mount

MODEL : #V255156WA8

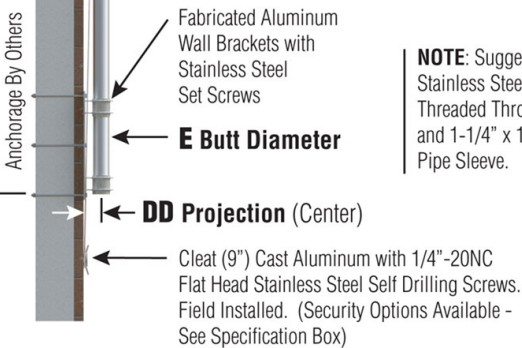


G Wall Thickness
Alloy 6063-T6 Tapered Aluminum Tube.



NOTE: For Clear Anodized and Satin Finish flagpole shafts, Vertical Wall Mount Brackets will come with a sandblasted finish as standard.

NOTE: Suggested Anchorage (By Others) - Stainless Steel 3/4"-10NC x 18" Long Full Threaded Through Bolt, Hex Nut, and Washers, and 1-1/4" x 14" Long Schedule 10 Aluminum Pipe Sleeve.



VSR WA-8



Gold Anodized



Satin Aluminum



Heavy Duty Cleat

Accessory Specifications
Satin Aluminum (02), Standard Gold Anodized Ball (90056-003), Standard 9" Heavy Duty Aluminum Cleat (90037S)

Specifications
A. Mounting Height: 25'
C. Total Length: 25'-0"
D. Taper Length: 11'-0"
E. Butt Diameter: 5.000"
F. Top Diameter: 3.000"
G. Wall Thickness: 0.156"
AA. Bracket Width: 8"
BB. Bolt Setting Height: 18.75"
CC. Sleeve Height: 5"
DD. Projection: 6"
Flagpole Sections: 1
Flagpole Weight: 80 lbs.

Notes

Customer Name:	
Dealer:	
Project:	Location: