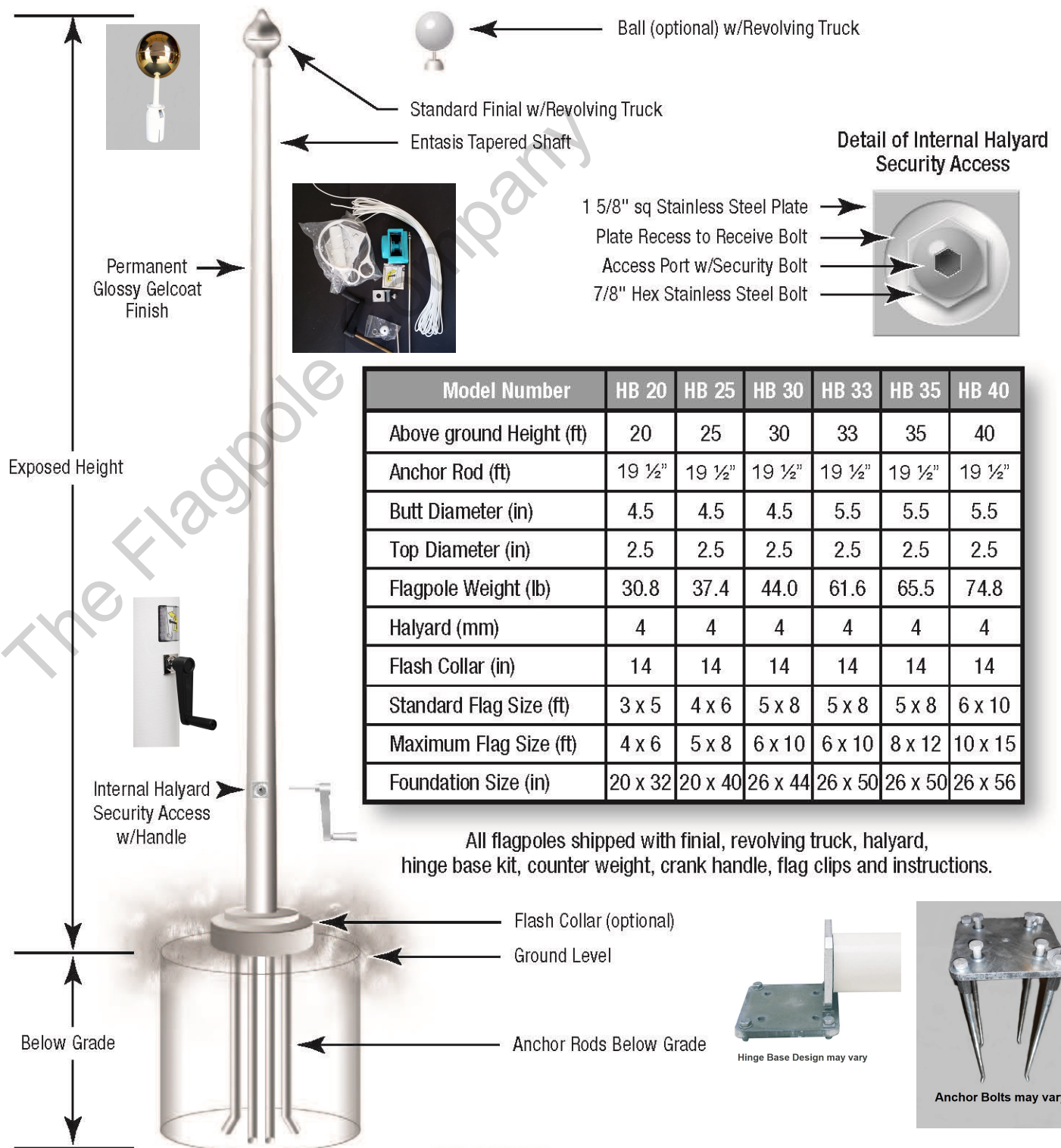


The Flagpole Company  
 PO Box 765  
 221 N. Main St.  
 Brooklyn, MI 49230  
 800.805.9728  
 www.flagpolecompany.com



# Hinge Base Internal Halyard Flagpoles 20 - 40 feet

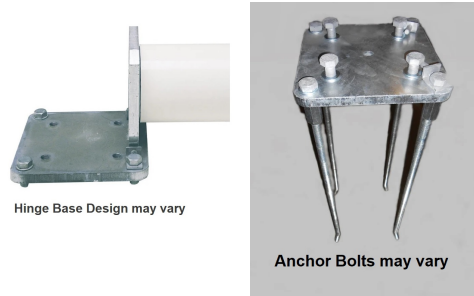


1 5/8" sq Stainless Steel Plate  
 Plate Recess to Receive Bolt  
 Access Port w/Security Bolt  
 7/8" Hex Stainless Steel Bolt

Detail of Internal Halyard Security Access

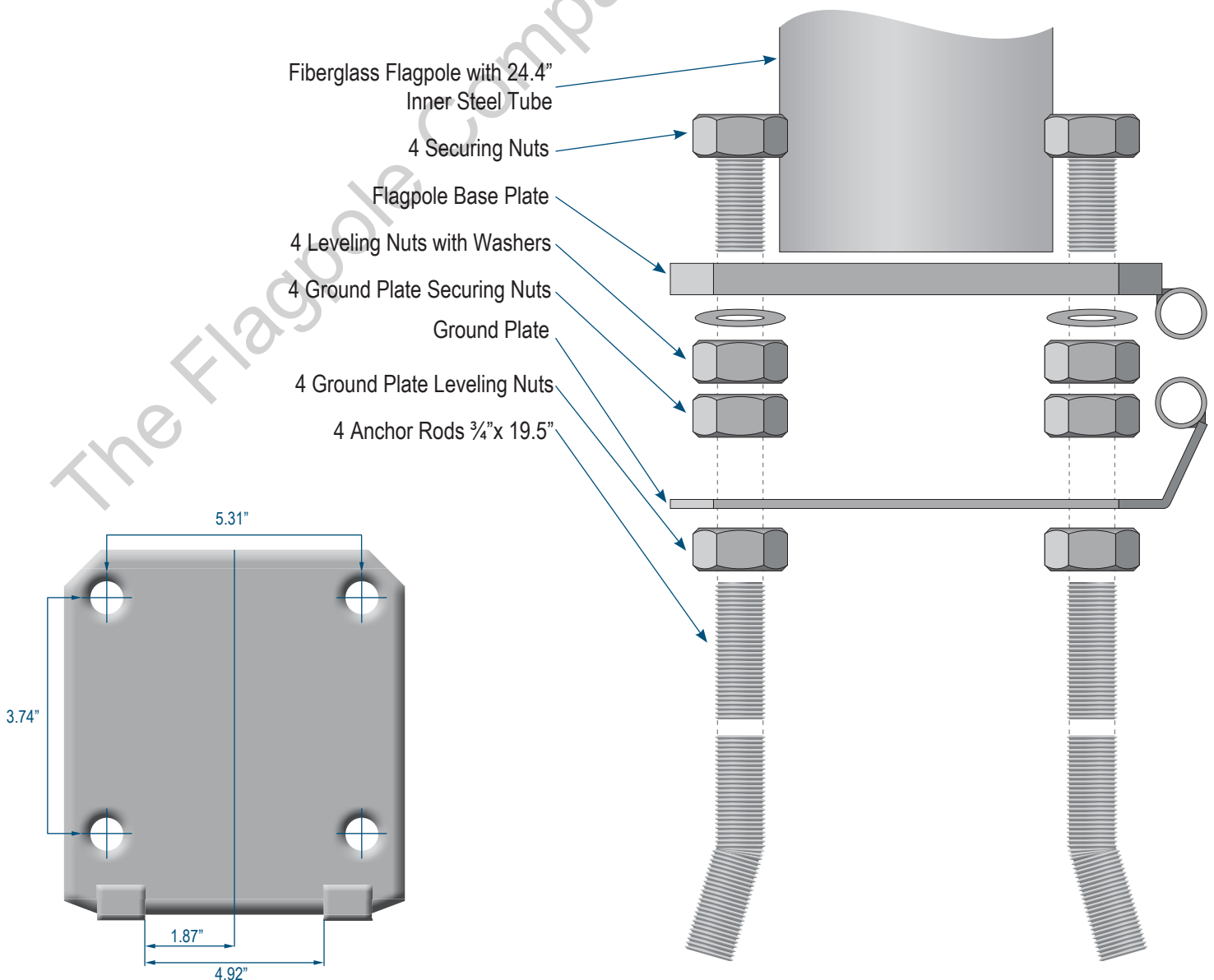
Model Number	HB 20	HB 25	HB 30	HB 33	HB 35	HB 40
Above ground Height (ft)	20	25	30	33	35	40
Anchor Rod (ft)	19 1/2"	19 1/2"	19 1/2"	19 1/2"	19 1/2"	19 1/2"
Butt Diameter (in)	4.5	4.5	4.5	5.5	5.5	5.5
Top Diameter (in)	2.5	2.5	2.5	2.5	2.5	2.5
Flagpole Weight (lb)	30.8	37.4	44.0	61.6	65.5	74.8
Halyard (mm)	4	4	4	4	4	4
Flash Collar (in)	14	14	14	14	14	14
Standard Flag Size (ft)	3 x 5	4 x 6	5 x 8	5 x 8	5 x 8	6 x 10
Maximum Flag Size (ft)	4 x 6	5 x 8	6 x 10	6 x 10	8 x 12	10 x 15
Foundation Size (in)	20 x 32	20 x 40	26 x 44	26 x 50	26 x 50	26 x 56

All flagpoles shipped with finial, revolving truck, halyard, hinge base kit, counter weight, crank handle, flag clips and instructions.



**Hinge Base Schematic for - 20 to 40 ft Flagpoles (new)**

- Steel base and ground plate are hot dipped galvanized steel
- Anchor rods, nuts and washers are cold galvanized steel
- Inner steel tube bonded to fiberglass pole with fiberglass and resin



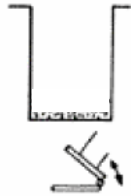
The Flagpole Company  
 PO Box 765  
 221 N. Main St.  
 Brooklyn, MI 49230  
 800.805.9728  
 www.flagpolecompany.com



## Tilting Base Set-up

## Fiberglass Flagpole Tilt (Hinge) Base Installation Instructions

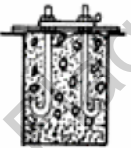
These instructions assume normally packed soil. In case of lightly packed, sandy, humid, or other conditions where concrete block could potentially shift, increase the hole size to create a wider base for greater stability.



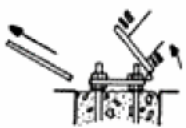
**1**  
 Dig a hole in the ground according to measurements indicated in **Drawing A**. Position hinge part of the tilting base toward the side where the flagpole will be tilted. Ensure that enough space is available when tilting flagpole to the ground.



**2**  
 Secure anchor rods to plate using nuts (3) and (4). **Set-up according to measurement M** (see Drawing B) and install hinge plate above hole in the ground on top of a cross bar to maintain plate at proper level.



**3**  
 Fill hole with concrete up to a level below the lower nuts (3) and ensure correct positioning of the plate.  
**Drying time varies with weather and cement type. Allow one day for quick setting cement and a full week for standard cement.**



**4**  
 Once concrete is hard, remove the crossbar, keep nuts (3), (4), and washers (6) in place. Washers (7) and nuts (5) will be used later to secure flagpoles in vertical position.

**5**  
 Position flagpole's base plate on hinge plate using the hinge pin (9). Lift flagpole vertically, fit washers (7) and nuts (5) on anchor rods. Check that flagpole is vertical; if not, adjust position by modifying position of nuts (3/4/5), then tighten nuts (5)

**IMPORTANT: Measurement M (distance between bottom nut (3) and top of anchor rod) must be accurate to be able to raise pole completely.**

