

# THE FLAGPOLE COMPANY<sup>®</sup>

The Flagpole Professionals!



Model IC-306188

6" - 14 gauge spun aluminum ball  
gold anodized.

Single sheave truck, cast aluminum  
revolving, non-fouling, internal  
halyard truck

One length #6 wire center halyard,  
with 2 flag snaps and covers

One 2" x 3-1/2" vinyl covered  
counterweight with eyelet

Beaded retaining ring

Access opening with cylinder lock

Aluminum flash collar

3000 PSI concrete

Hardwood wedges  
(supplied by others)

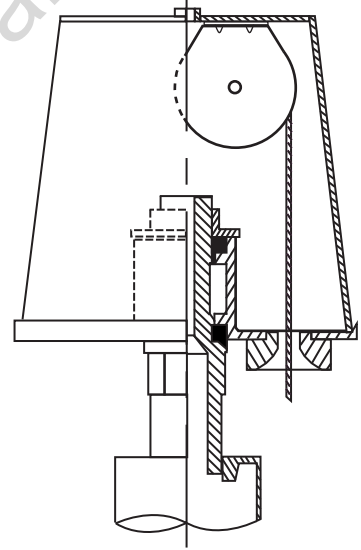
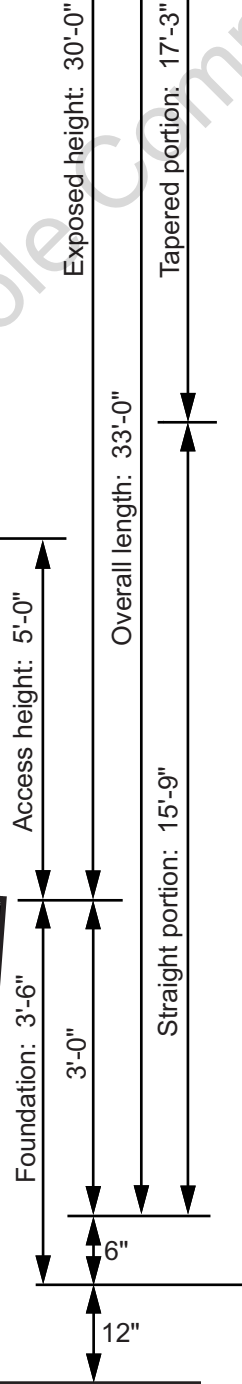
Dry sand tightly tamped  
after aligning pole

Foundation sleeve -16 ga  
hot dip galvanized steel

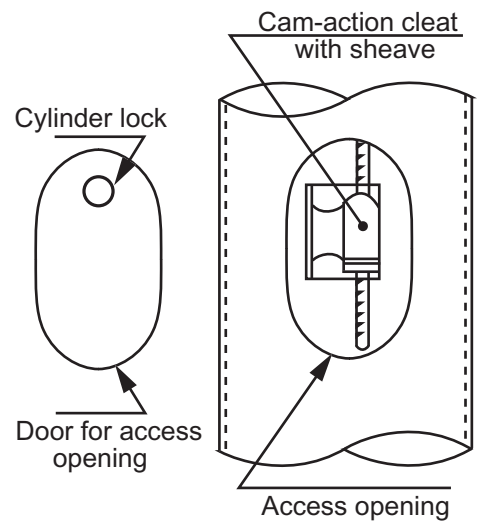
Steel centering wedges

1/4" Steel base plate

1/4" Steel support plate  
welded to grounding spike



Revolving non-fouling internal halyard truck, cast aluminum body, 26 stainless steel ball bearings, and 2-1/2" diameter plated steel sheave.



Project:	Ground set tapered aluminum flagpole: ALLOY: 6063T6	The Flagpole Company	Date:
Location:	Exposed height: 30'-0"	Overall height: 33'-0"	Revision:
Architect:	Ships in 1 Section	Butt diameter: 6"	Brooklyn, MI 49230
Contractor:	Top diameter: 3-1/2"	Wall thickness: .188"	800.805.9728
Customer:			Job:

