

THE FLAGPOLE COMPANY[®]

The Flagpole Professionals!



Model IW-357156

Single sheave truck, cast aluminum revolving, non-fouling, internal halyard truck

1/8" x 7x19 Mil-C-5424 Stainless steel aircraft cable

Standard flag arrangement: 6' x 10'

Neoprene coated 2" diameter steel counterweight

Nylon beaded retainer ring

Gearless, self locking direct drive winch with six tumbler cylinder lock

Aluminum flash collar

3000 PSI concrete

Hardwood wedges (supplied by others)

Dry sand tightly tamped after aligning pole

Foundation sleeve -16 ga hot dip galvanized steel

Steel centering wedges

1/4" Steel base plate

1/4" Steel support plate welded to grounding spike

Access door : 4' - 0"

Foundation: 4'-0"

Exposed height: 35'-0"

Overall length: 38'-6"

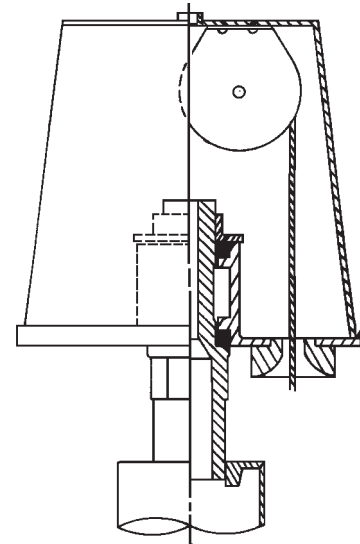
Tapered portion: 20'-0"

Straight portion: 18'-6"

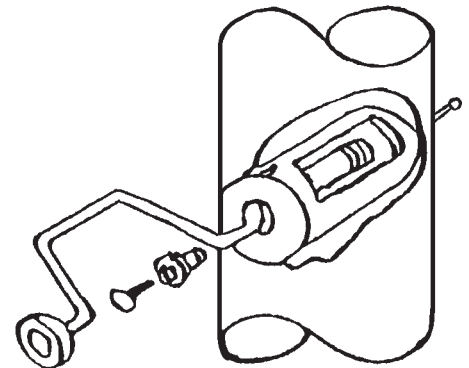
6"

12"


8"
16"
35"



Revolving non-fouling internal halyard truck, cast aluminum body, 26 stainless steel ball bearings, and 2-1/2" diameter plated steel sheave.



Winch Detail

Project:	Ground set tapered aluminum flagpole: ALLOY: 6063T6	The Flagpole Company	Date:
Location:	Exposed height: 35'-0" Overall height: 38'-6"	221 N. Main St.	Revision:
Architect:	Ship in 1 section Butt diameter: 7"	Brooklyn, MI 49230	
Contractor:	Top diameter: 3-1/2" Wall thickness: .156"	800.805.9728	
Customer:	Finish: 100 grit polish		Job: