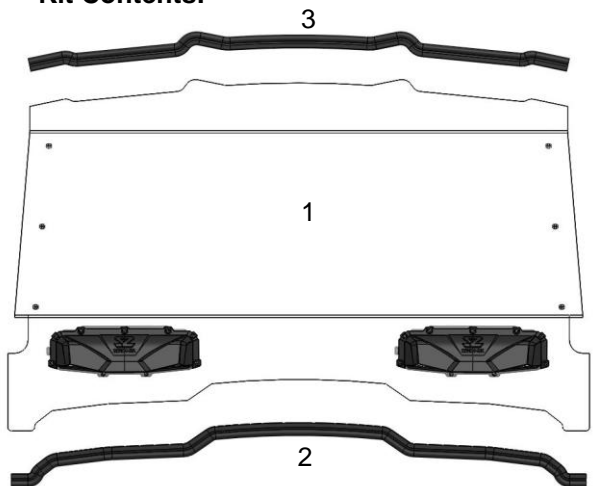


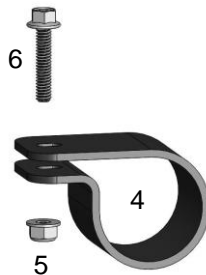
Installation & Operations Manual Honda Pioneer 500 Vented Windshield



Kit Contents:



1. Windshield with Vents
2. 46" 180 degree bulb bottom gasket
3. 42" 180 degree bulb top gasket
4. 1.75 small hole plastic Clamp (6)
5. 1/4 20 Flange Nut (6)
6. Bolt (6)



Installation Information:

This product does not require any modifications to your vehicle. Please familiarize yourself with all the steps before beginning assembly.

Compatibility Info:

This windshield is designed to work with other Seizmik branded Accessories for the Honda Pioneer as well as OEM Honda hard tops. Please note Seizmik cannot guarantee fitment with other branded aftermarket products. Please research installation details on our products and others when trying to combine different branded accessories.

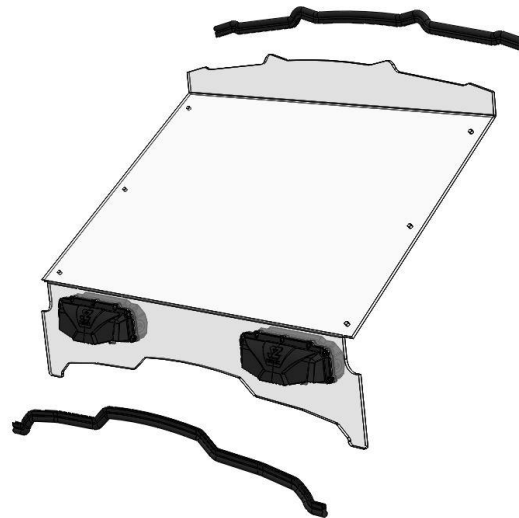
Seizmik makes Windshields, Mirrors, Door Kits, Light Bars, Hood Racks, and other great accessories for UTV's to maximize the vehicles usefulness. To help you do what you do better.

If you have any questions, comments, need assistance, or are missing parts, please call 1-866-838-3366 between 9:00AM and 5:00PM EST. Or email us at service@seizmik.com. Visit www.seizmik.com for more information on our products.

Installation:

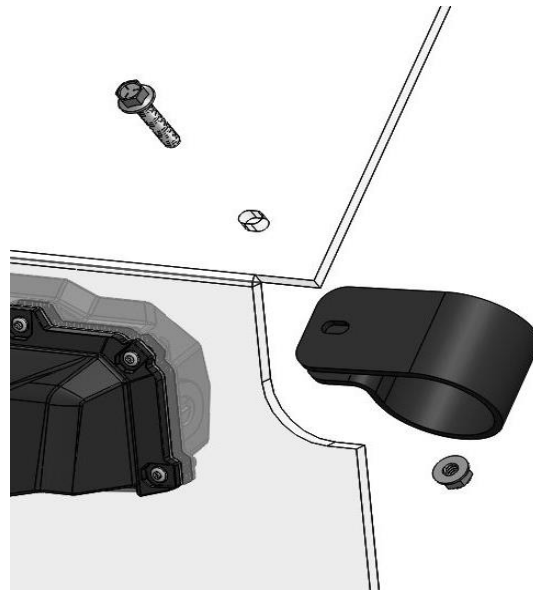


1. Peel plastic 4" back on bottom of windshield. Remove completely after windshield is fully installed.

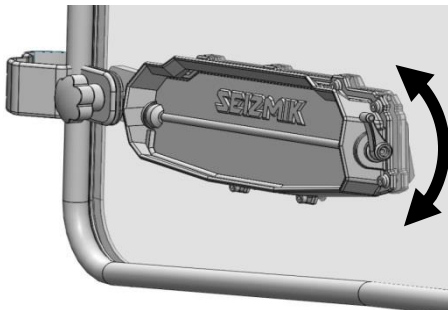


2. Push the 42" gasket on the top and the 46" gasket on the bottom of the windshield.

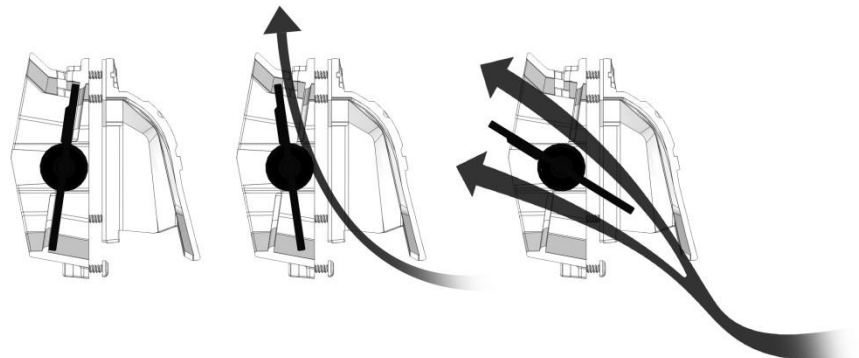
3. If you have a roof, please remove it now as it will make installation of the windshield easier. Snap 3 clamps on each side of the roll cage with the flanges facing forwards. Rotate windshield as you put it in place so that the roll cage fits in the notches in the lower portion of the windshield. When installed, the lower gasket of the windshield should rest on the dash, not the colored hood. Insert bolts through windshield and clamps, then loosely install nuts on all 6 clamps. **Re-install roof.** Adjust windshield as needed and tighten nuts.



VENT OPERATION:



Turn handle to adjust vent. If the vent seems too tight or too loose, it can be adjusted by turning the T10 Torx screw in the handle.



The vent has 3 positions: Closed, Defog, and open.