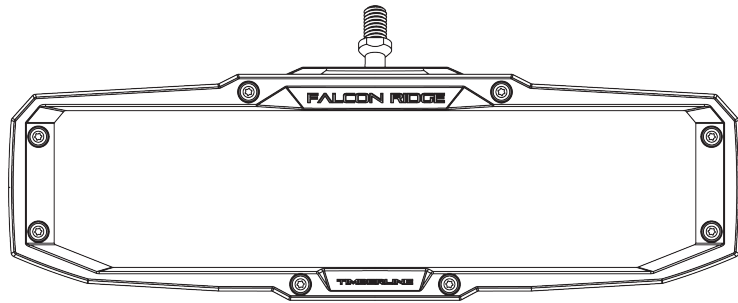


TIMBERLINE MIRROR - 56-19044
INSTALLATION MANUAL

PARTS LIST

Mirror assembly



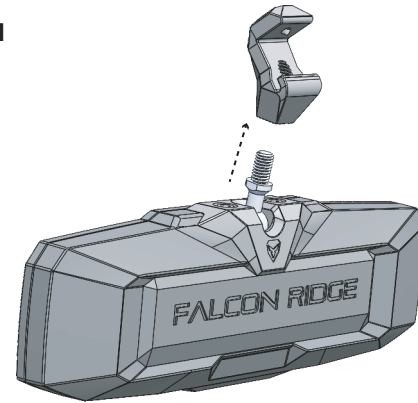
Polaris Pro-fit Ranger
clamp



M6X12mm SST
set screw

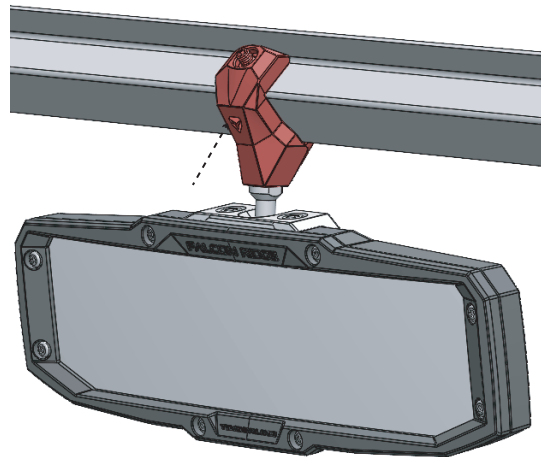


STEP 1



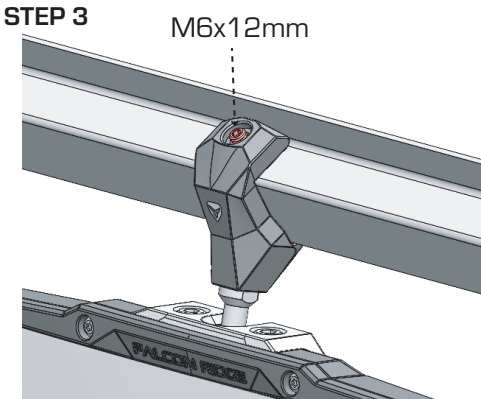
Attach the mirror housing to the
Ranger Pro-fit clamp.

STEP 2



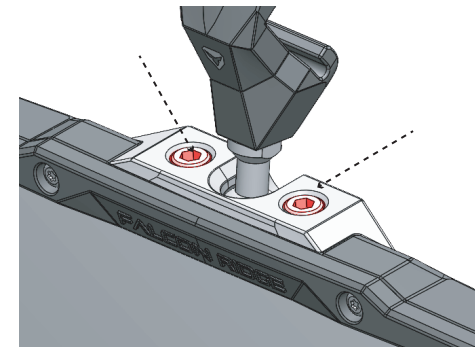
Attach the Ranger Pro-Fit mount to
the header panel flange as shown.

STEP 3



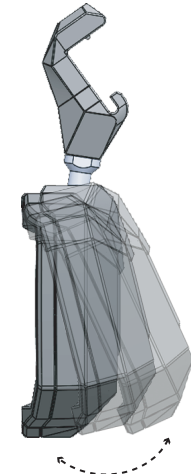
Tighten the M6x12mm set screw
to secure the bracket and mirror
to the header panel.

STEP 5



Use these bolts to adjust tension on
the ball joint. Clockwise turn will
increase tension, Counter-clockwise
will decrease tension.

STEP 6



Adjust angle of mirror housing as necessary.