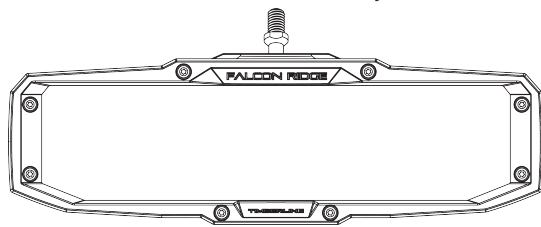


TIMBERLINE MIRROR - 56-19045, 19046
INSTALLATION MANUAL

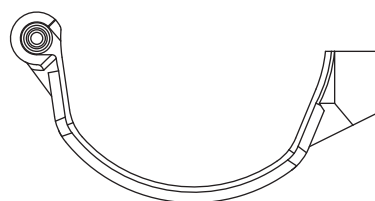
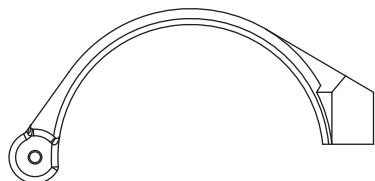
PARTS LIST

Mirror assembly



Round clamp upper half

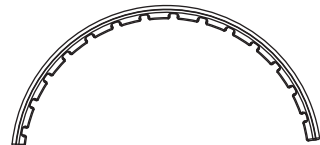
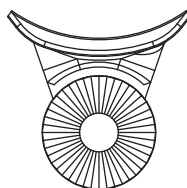
Round clamp lower half



Round clamp adapter

Swivel arm

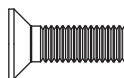
Round clamp upper shim
(2" Clamp only)



6x20mm socket
Countersink bolt

25mm Roll pin

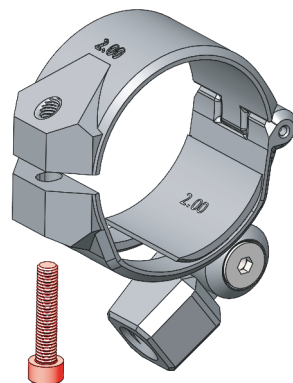
Round clamp Lower shim
(2" Clamp only)



M5x25mm
Sockethead bolt

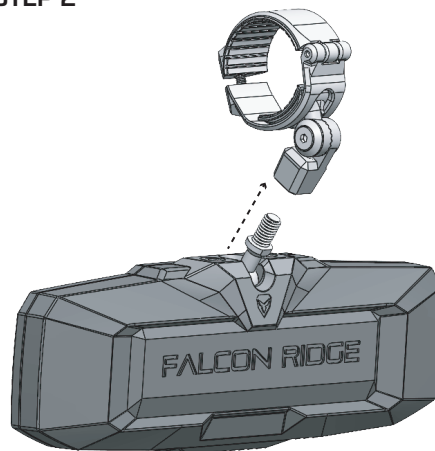


STEP 1



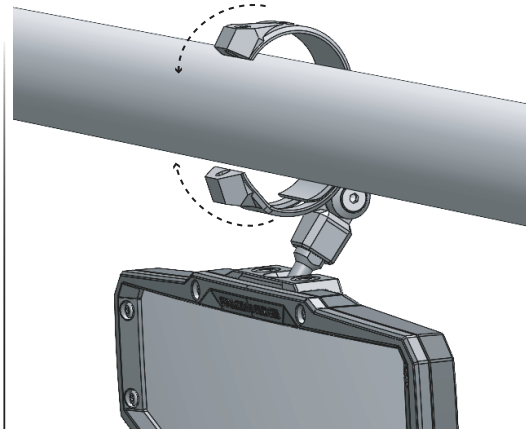
Remove M5x25mm Sockethead bolt from clamp assembly.

STEP 2



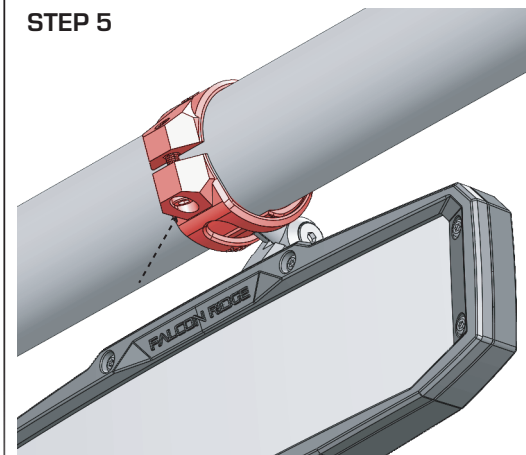
Attach the mirror housing to the round clamp assembly.

STEP 3



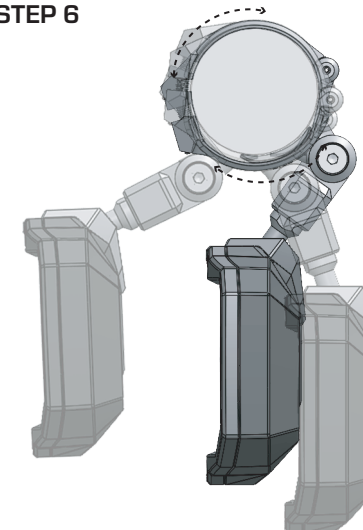
Wrap the roll cage with the round clamps.

STEP 5



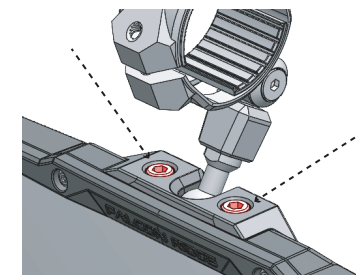
Loosely assemble the round clamp using M5x25mm Sockethead bolt.
Do not tighten all the way yet!

STEP 6



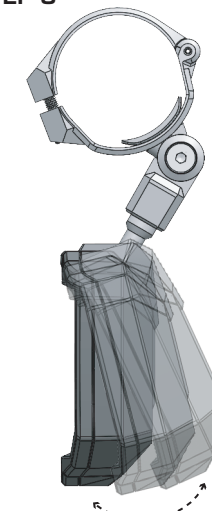
Adjust the clamp angle and clamp adapter to the desired position.

STEP 7



Use these bolts to adjust tension on the ball joint. Clockwise turn will increase tension, Counter-clockwise will decrease tension.

STEP 8



Adjust angle of mirror housing as necessary.