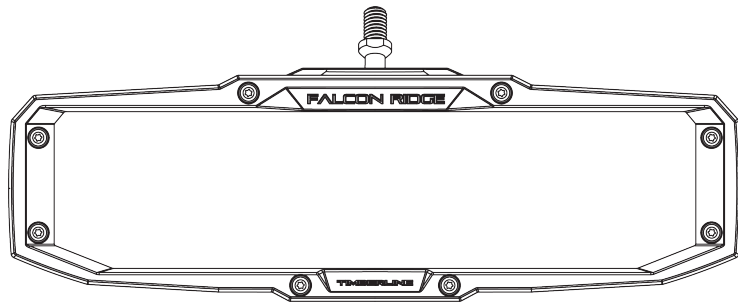


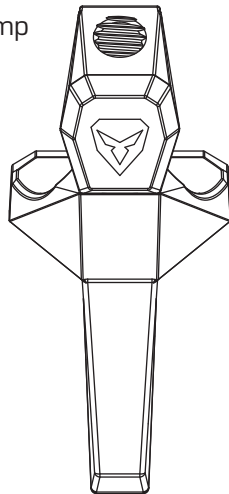
TIMBERLINE MIRROR - 56-19052
INSTALLATION MANUAL

PARTS LIST

Mirror assembly



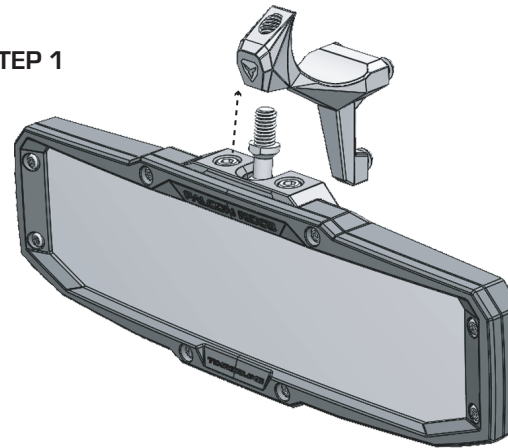
Can Am X3 Clamp



M6X16mm (3)
Button head bolt

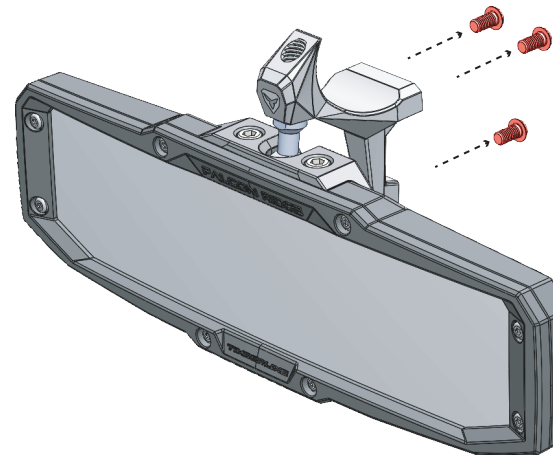


STEP 1



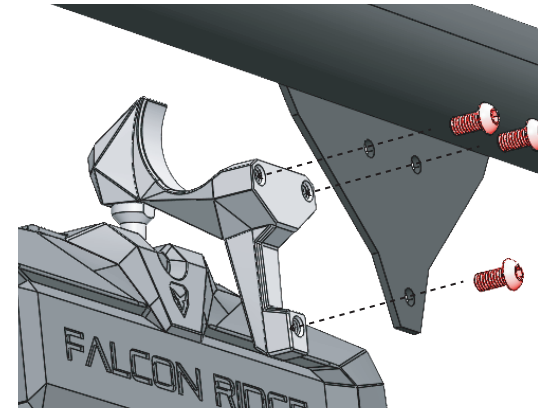
Attach the mirror housing to the
Can Am X3 clamp

STEP 2



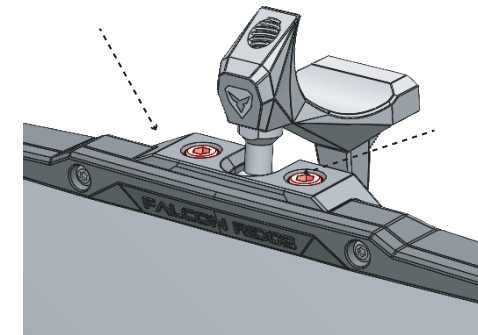
Unscrew M6X16mm button head bolts.

STEP 3



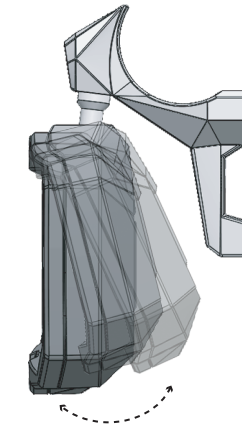
Screw and tighten the M6x16mm button head
bolts through the holes to secure the clamp
and mirror to the mirror mounting plate.

STEP 5



Use these bolts to adjust tension on the ball
joint. Clockwise turn will increase tension,
Counter-clockwise will decrease tension.

STEP 6



Adjust angle of mirror housing as necessary.