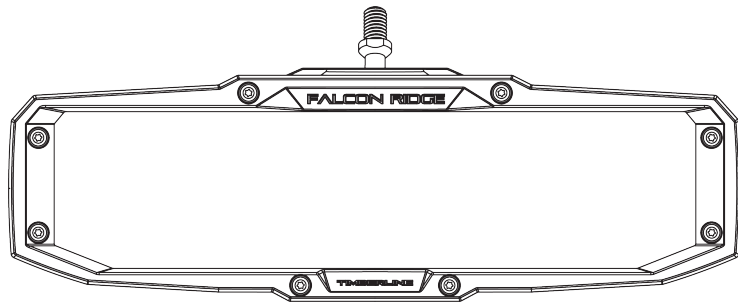


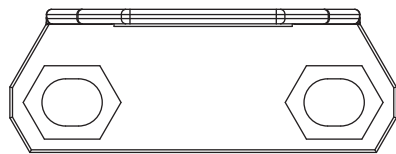
TIMBERLINE MIRROR - 56-19053
INSTALLATION MANUAL

PARTS LIST

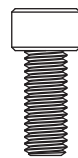
Mirror assembly



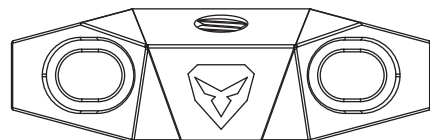
RZR Pro-XP backing plate



M8X20mm (2)
Socket head bolt



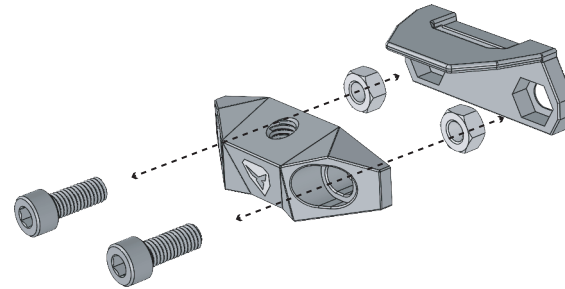
RZR Pro-XP Clamp



M8 nut (2)

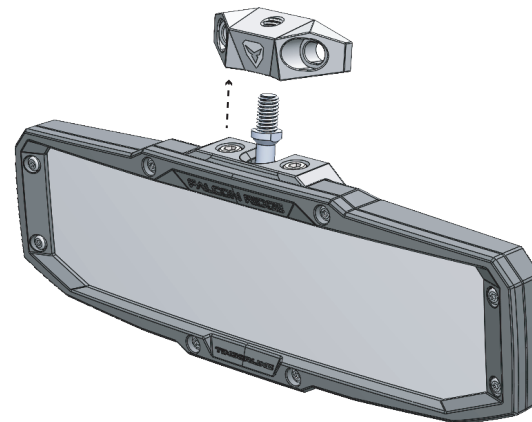


STEP 1



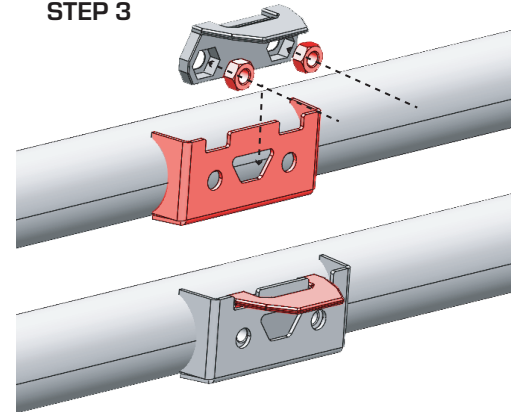
Disassemble RZR Pro-XP clamp assembly

STEP 2



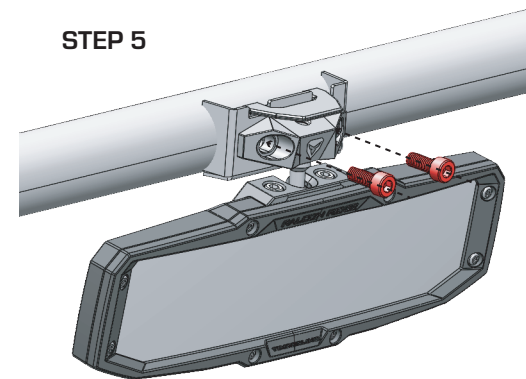
Attach the mirror housing to the
RZR Pro-XP clamp

STEP 3



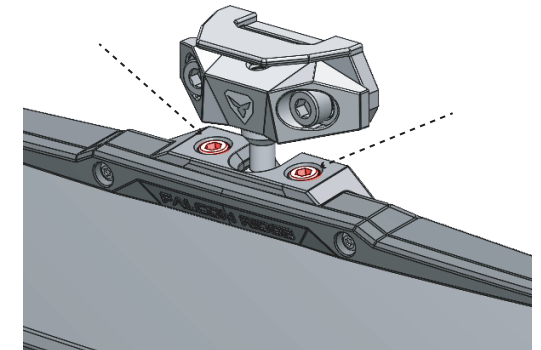
Locate mirror mounting plate on ROPS.
Insert M8 nuts into the backing plate slots.
Place the backing plate between the ROPS
and the mounting plate as shown.

STEP 5



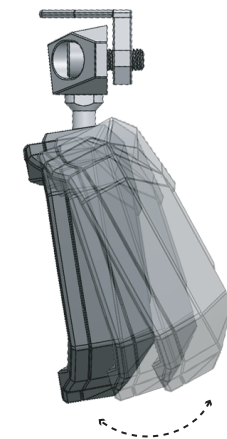
Install M8 socket head bolts and
torque to 10ft-lbs.

STEP 6



Use these bolts to adjust tension on the ball
joint. Clockwise turn will increase tension,
Counter-clockwise will decrease tension.

STEP 7



Adjust angle of mirror housing as necessary.