
ALK1000-50

Artic Cat 1000 Lift Kit



Parts Available For These Popular Brands and Others

POLARIS

can-am



Kawasaki



HIGHLIFTER



sales@highlifter.com



800-699-0947 | 8:00am - 6:00pm CST



780 Professional Drive North, Shreveport, LA 71105



www.highlifter.com

Read before Installation

This product is designed for use on ATVs and/or RUVs to increase ground clearance and fender clearance. Purchasers should be aware that use of this product may increase the frequency of required maintenance, part wear, and will raise the center of gravity on your ATV and/or RUV, increasing risk of roll-over, injury and death on all types of terrain. It is your responsibility to always inform other operators and passengers of this vehicle about the added risks.

High Lifter Products, products are designed to best fit users ATV/RUV under stock conditions. Adding, modifying, or fabricating any OEM or aftermarket parts will void warranty. High Lifter Products, products could interfere with other aftermarket accessories. If the user has aftermarket products on machine, contact High Lifter Products to verify that they will work together. Adding aftermarket suspension components and/or more aggressive tires can cause breakage of other OEM driveline components such as differentials, axles or drive shafts.

We recommend that wider tires and/or wheel spacers be used to achieve a wider stance and to improve stability of the ATV and/or RUV. Riders should be advised that the handling characteristics of a taller ATV and/or RUV are different and require extra care when riding, particularly on side hills or off-camber situations. If you further raise the center of gravity by adding taller tires, heavy loads to racks or seats, or by any other means, the ATV and/or RUV must be operated with even more care, at slower speeds and on relatively flat ground. All turns should be done at a slow speed, even on level ground.

Operation of an ATV and/or RUV with or without modified suspension components, while or shortly after consuming alcohol or drugs, subjects the rider to the risk of serious bodily harm or possible death. This risk is compounded if the rider does not wear an approved helmet and other safety gear. High Lifter urges that all approved safety gear be worn when riding an ATV and/or RUV as a driver or passenger.

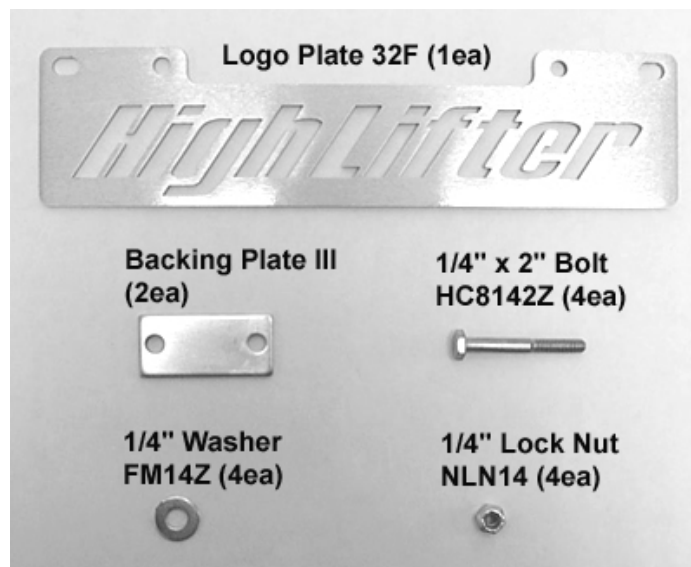
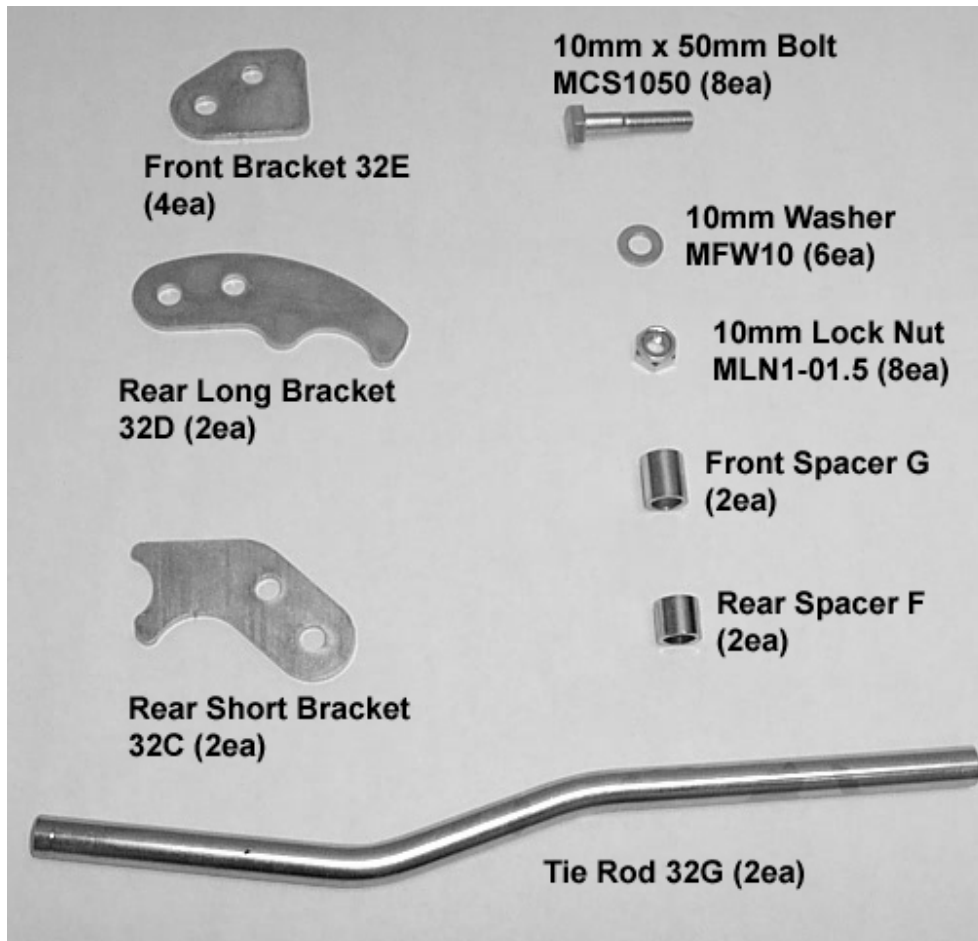
By purchasing and installing High Lifter Products, products, user agrees that should damages occur, High Lifter Products will not be held responsible for loss of time, use, labor fees, replacement parts, or freight charges. High Lifter Products will not be held responsible for any direct, indirect, incidental, special, or consequential damages that result from any product purchased from High Lifter Products. The total liability of seller to user for all damages, losses, and causes of action, shall not exceed the total purchase price paid for the product that gives rise to the claim.

Dealers and other Installers

You are responsible for informing your customer and end user of the information contained above and the increased potential hazards of operating an ATV and/or RUV equipped with modified suspension components. If you install any suspension modifying components, it is your responsibility to also install the warning label prominently in view of the driver and in prominent view of the driver and passenger on RUVs and multi-passenger ATVs. They should also be instructed to notify anyone operating the vehicle, as well as any passengers, that said vehicle is modified.

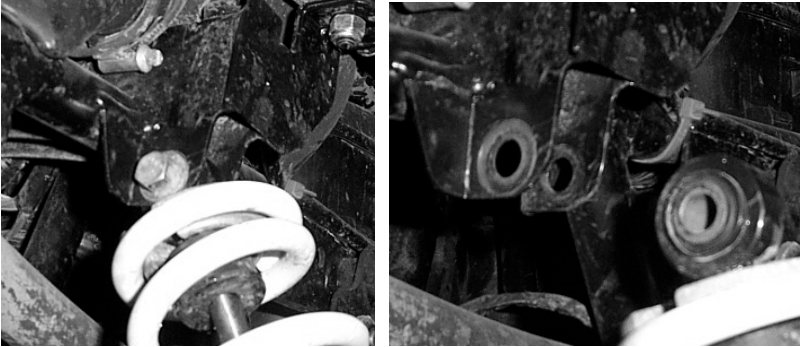
As discussed above, it is critically important that they be instructed in the need for slower speed operation, regardless of terrain, after this lift kit is installed.

Parts Diagram

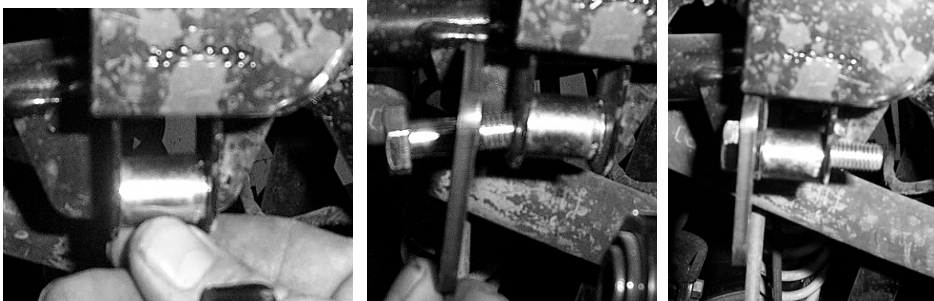


Front Lift Installation

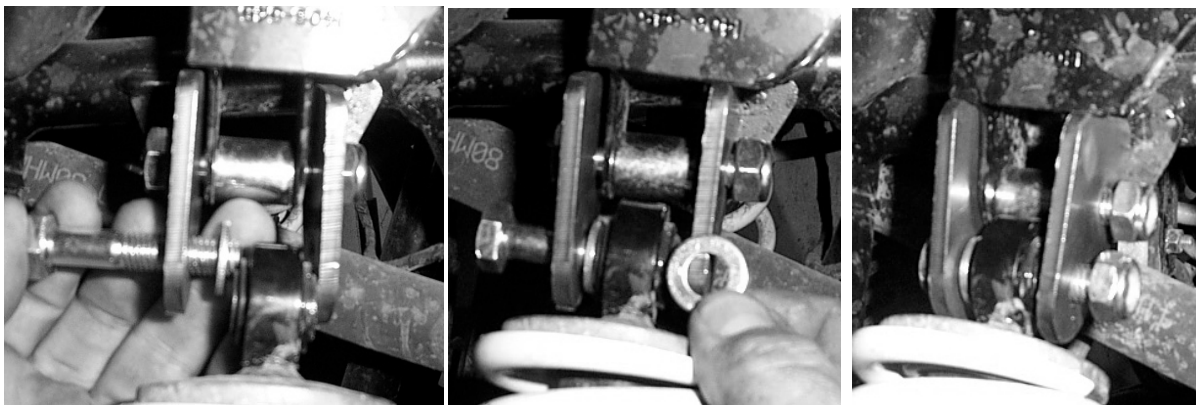
- 1) Place ATV transmission in park. Place jack under center of ATV front end and lift until front wheels clear the ground. Be careful to support ATV properly so that it is securely supported so that A-arms and shocks can droop to full extension.
- 2) Remove front wheels.
- 3) Disconnect the top of the front shock from the shock mount tabs.



- 4) Insert the spacer between the shock mount tabs. Place the front lift brackets onto the front shock mount and secure the brackets and spacer using a 10mm x 50mm bolt and 10mm lock nut.



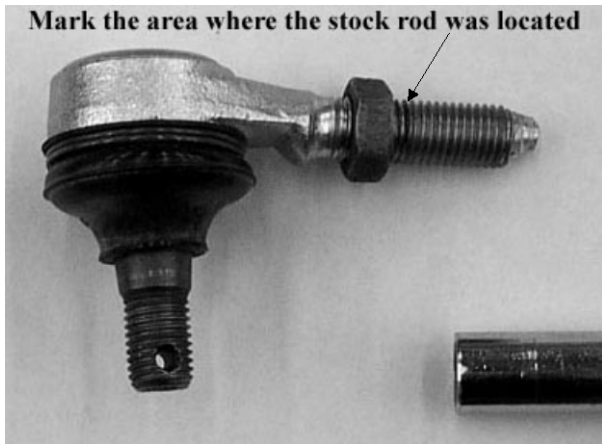
- 5) Next, insert the top of the shock into the brackets. Connect the top of the shock to the brackets by using a 10mm x 50mm bolt, two 10mm washers, and 10mm lock nut. Insert the 10mm x 50mm bolt through the bracket and shock eyelet. Place a 10mm washer on either side of the shock eyelet as you are inserting the bolt. Secure everything together with the 10mm lock nut.



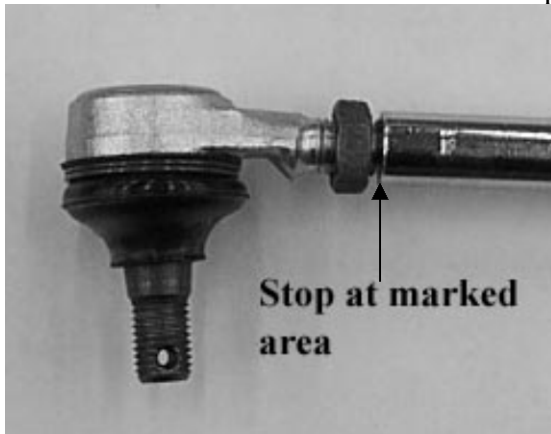
Part Number: ALK1000-50

6) Tie Rod and Ends

1. Included in this kit are two replacement tie rods.
2. Mark sure to mark the where the stock tie rod ends on the tie rod end.



3. Once you have marked both tie rod ends remove the stock tie rod and ends from the ATV.
4. Remove the tie rod ends from the stock tie rod.
5. There is a long end and a short end, make sure to attach the long end to the steering stem and the short end to the knuckle assembly.
6. Place the stock tie rod ends onto the new tie rod provided in the kit.
7. Make sure that the ends are installed up to the marked area.

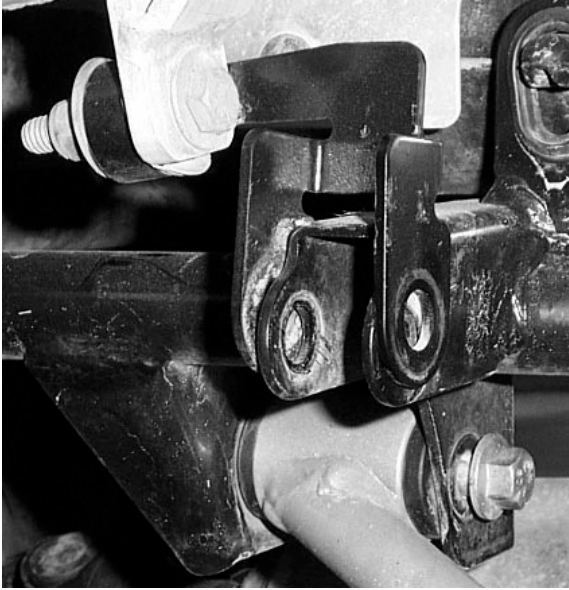


8. Install the new tie rod assembly onto the ATV.



Rear Lift Installation

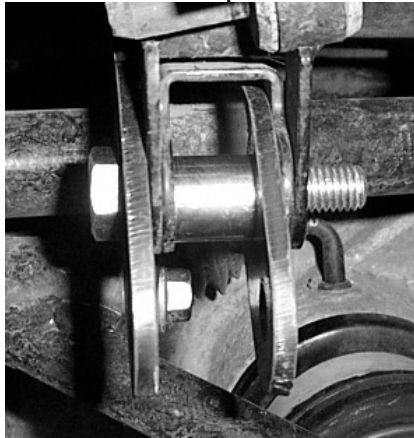
1. Place ATV transmission in park. Place jack under center of ATV rear end and lift until rear wheels clear the ground. Be careful to support ATV properly so that it is securely supported so that A-arms and shocks can droop to full extension.
2. Remove rear wheels.
3. Remove top of the rear shocks.



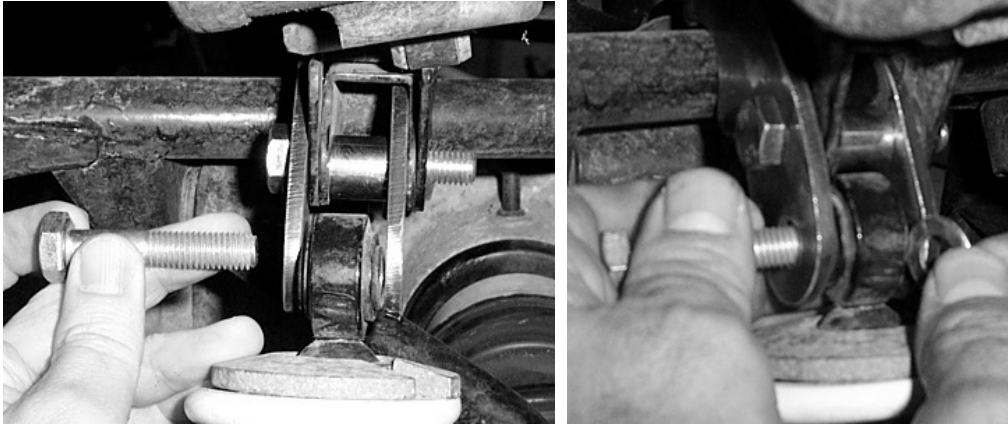
4. Place the rear long bracket on the outside of the shock mount to the side that is to the front of the ATV. Insert a Spacer into the shock mount tabs secure the brackets and spacer using a 10mm x 50mm bolt and 10mm lock nut.



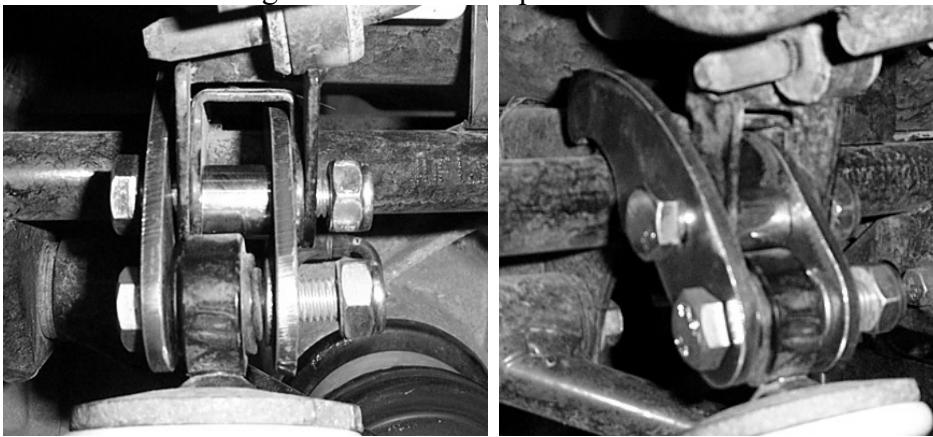
5. Next insert the smaller rear bracket between the spacer and the inside of the shock mount tab.



6. Connect the top of the shock to the lift brackets using a 10mm x 50mm bolt and one 10mm washer between the shock eyelet and the bracket.



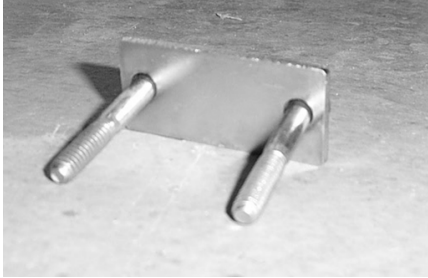
7. Secure brackets using at 10mm lock nut provided in the kit.



8. Repeat steps for opposite side.
9. Place all wheels back on the ATV; torque all lugs to factory specifications.

Logo Plate Installation

1. You will connect the logo plate to the rear of the ATV.
2. Insert two ¼" x 2" bolts through the backing plates.



3. Now, place the backing plates with bolts onto the rear frame.



4. Connect the name plate to the backing plates using ¼" washers and ¼" lock nuts.



Thank You
For Choosing
HIGHLIFTER



High Lifter Lifetime Warranty

From the beginning, High Lifter has engineered and manufactured some of the toughest, most durable products on the market. That's why this product comes with a Lifetime Warranty. It's our promise that High Lifter will never let you down.

- The **Lifetime Warranty** covers products sold to the original purchaser only and is not transferable. The term of the warranty is for the lifetime of the vehicle in question.
- Normal wear and tear items and finishes, such as, but not limited to: Heim joints, tie rod ends, ball joints, bearings, seals, bushings, bushing sleeves, zinc plating , powder coating, or chipping and discoloration of any finish is not covered.
- High Lifter will ship the replacement product after the returned product has been inspected by High Lifter staff.
- The warranty shall not include claims for damages, installation time or labor charges, economic losses, inconvenience, transportation, towing, down time, direct or indirect or consequential damages or delay resulting from any defect.
- The warranty does not apply to products that have been improperly applied or improperly installed.

Making a warranty claim

1. All claims must be accompanied by the part and the original sales receipt or other acceptable proof of purchase from the original owner.
2. All warranties must be accompanied with a Return Merchandise Authorization (RMA) number. (Contact High Lifter at 318-524-2270 or 800-699-0947 for an RMA number)
3. When shipping the damaged product:
 - a. Write the RMA number on the outside of the box.
 - b. Also include the RMA number, proof of purchase and any notes inside the box.
 - c. Please keep your tracking number and shipment information.
4. The customer is responsible for shipping the product to High Lifter--return shipping within the lower 48 states will be paid by High Lifter products. With all warranty claims, only standard shipping services apply.
5. High Lifter will process your order within 24 business hours of receiving the returned item.
6. **Ship to:** High Lifter Products, 780 Professional Drive North, Shreveport, Louisiana 71105