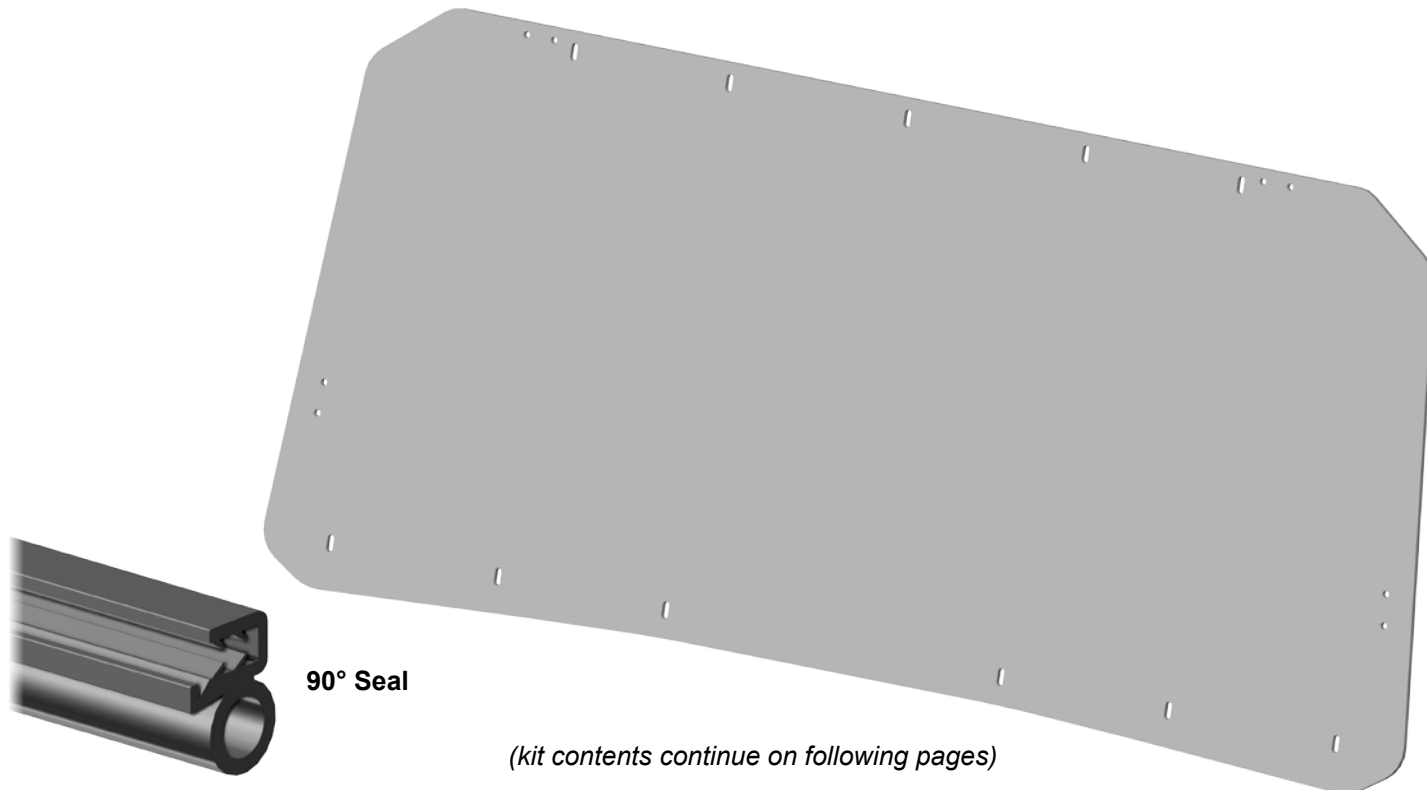


- SuperATV does not recommend keeping Windshield installed while transporting on an open air trailer. Remove or secure with straps.
- This item is not returnable if the protective film has been removed.
- Test fit to the cage to confirm fitment before removing film.



Liability Statement

SuperATV's® products are designed to best fit user's ATV/UTV under stock conditions. Adding, modifying, or fabricating any factory or aftermarket parts will void any warranty provided by SuperATV® and is not recommended. SuperATV's® products could interfere with other aftermarket accessories. If user has aftermarket products on machine, contact SuperATV® to verify that they will work together.

Although SuperATV® has thousands of satisfied customers, user should be aware that installing lift kits, long travel, or suspension kits, tires, etc. will change the ride of machine and may increase maintenance and part wear. Operating any off-road machine while, or after, consuming alcohol and/or drugs increases risk of bodily harm or death. No warranty or representation is made as to this product's ability to protect user from severe injury or death. SuperATV® urges operators and occupants to wear a helmet and appropriate riding gear at all times.

By purchasing and installing SuperATV® products, user agrees that should damages occur, SuperATV® will not be held responsible for loss of time, use, labor fees, replacement parts, or freight charges. SuperATV®, nor any 3rd party, will not be held responsible for any direct, indirect, incidental, special, or consequential damages that result from any product purchased from SuperATV®. The total liability of seller to user for all damages, losses, and causes of action, if any, shall not exceed the total purchase price paid for the product that gave rise to the claim.

SuperATV® will warranty only parts provided by SuperATV®. Any damage or problems with OEM housings, bearings, seals, or other manufacturers' products will not be covered by SuperATV®. SuperATV® parts and products are not warranted if item was not installed properly, misused, or modified.

Installing, adding, modifying, or fabricating any factory or aftermarket product to your ATV/UTV may violate certain local, state, and federal laws. Be advised that laws vary depending on town, city, county, state, etc. Use of certain products on public streets, roads, or highways may be in violation law. The Buyer is solely and exclusively legally and personally responsible for any violation of the law by the installation or use of the product. You must abide by all local, state, and federal laws, including but not limited to vehicle safety, traffic laws, and ordinances. It is your responsibility to know the laws and how they apply to you.

The Buyer is responsible to fully understand the capability and limitations of his/her vehicle according to manufacturer specifications, warnings and instructions and agrees to hold SuperATV® harmless from any damage resulting from failure to adhere to such specifications, warnings and/ or instructions. The Buyer is also responsible to obey all applicable federal, state, and local laws and ordinances when operating his/her vehicle while using this product, and the Buyer agrees to hold SuperATV® harmless from any violation thereof.

Need help with your installation?



sales@superatv.com



www.superatv.com



1-855-743-3427



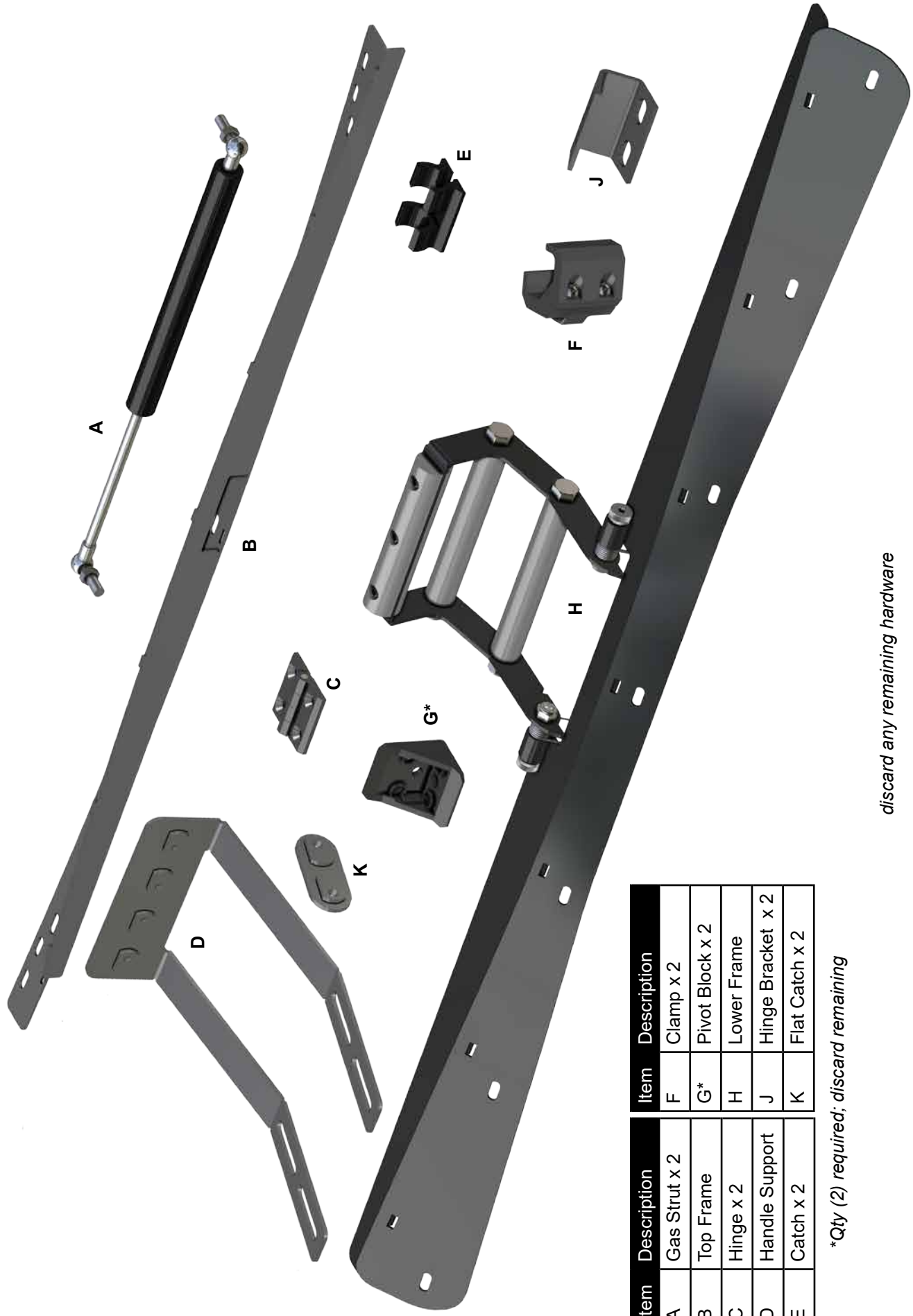
8:00am - 8:00pm EST M-Th
8:00am - 7:00pm EST Friday
9:00am - 2:00pm EST Saturday

Read instructions and view illustrations before beginning.

Thank You

For Choosing

SUPERATV.COM



Item	Description	Item	Description
A	Gas Strut x 2	F	Clamp x 2
B	Top Frame	G*	Pivot Block x 2
C	Hinge x 2	H	Lower Frame
D	Handle Support	J	Hinge Bracket x 2
E	Catch x 2	K	Flat Catch x 2

**Qty (2) required; discard remaining*

discard any remaining hardware



- Locate depressions in stock Visor Panel as shown.



- Drill $\text{\O}1/2$ " holes in stock Visor Panel as shown.

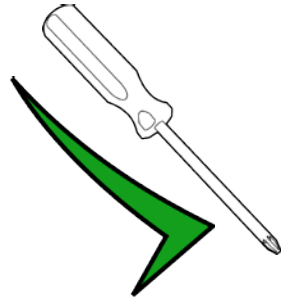


$\text{\O}1/2$ " x 4



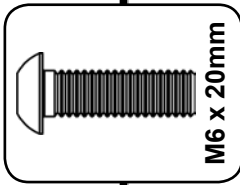
reinstall Visor Panel and Sound Bar to machine

Use hand tools only when assembling.

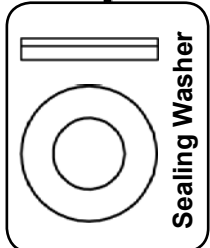


Do not use power tools.

6 each



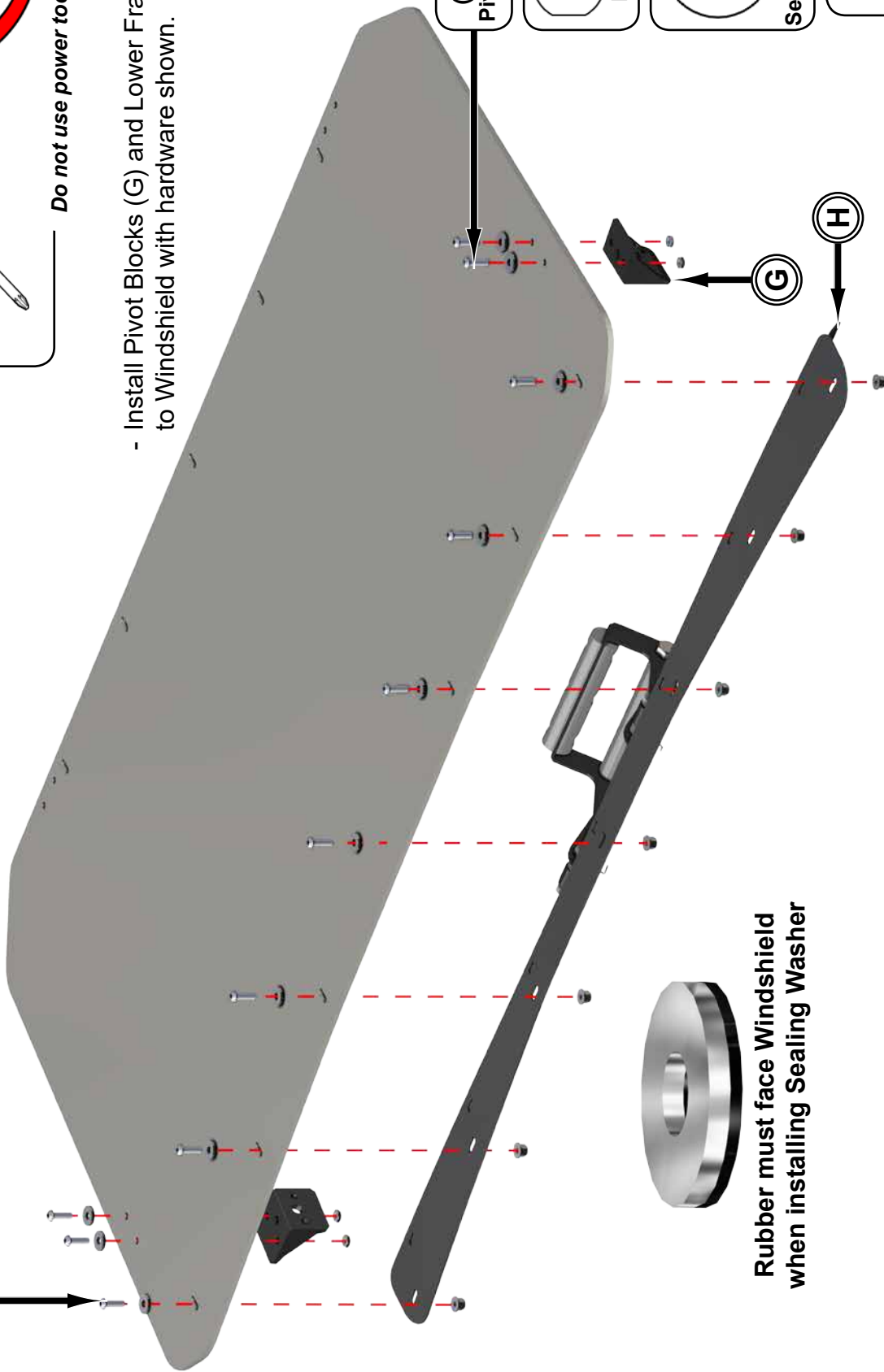
M6 x 20mm



Sealing Washer

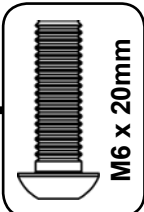


M6 Nylock Nut

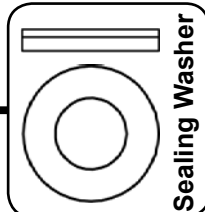


- Install Pivot Blocks (G) and Lower Frame (H) to Windshield with hardware shown.

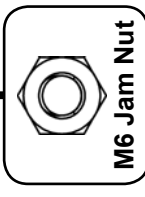
(2) each per
Pivot Block (G)



M6 x 20mm



Sealing Washer

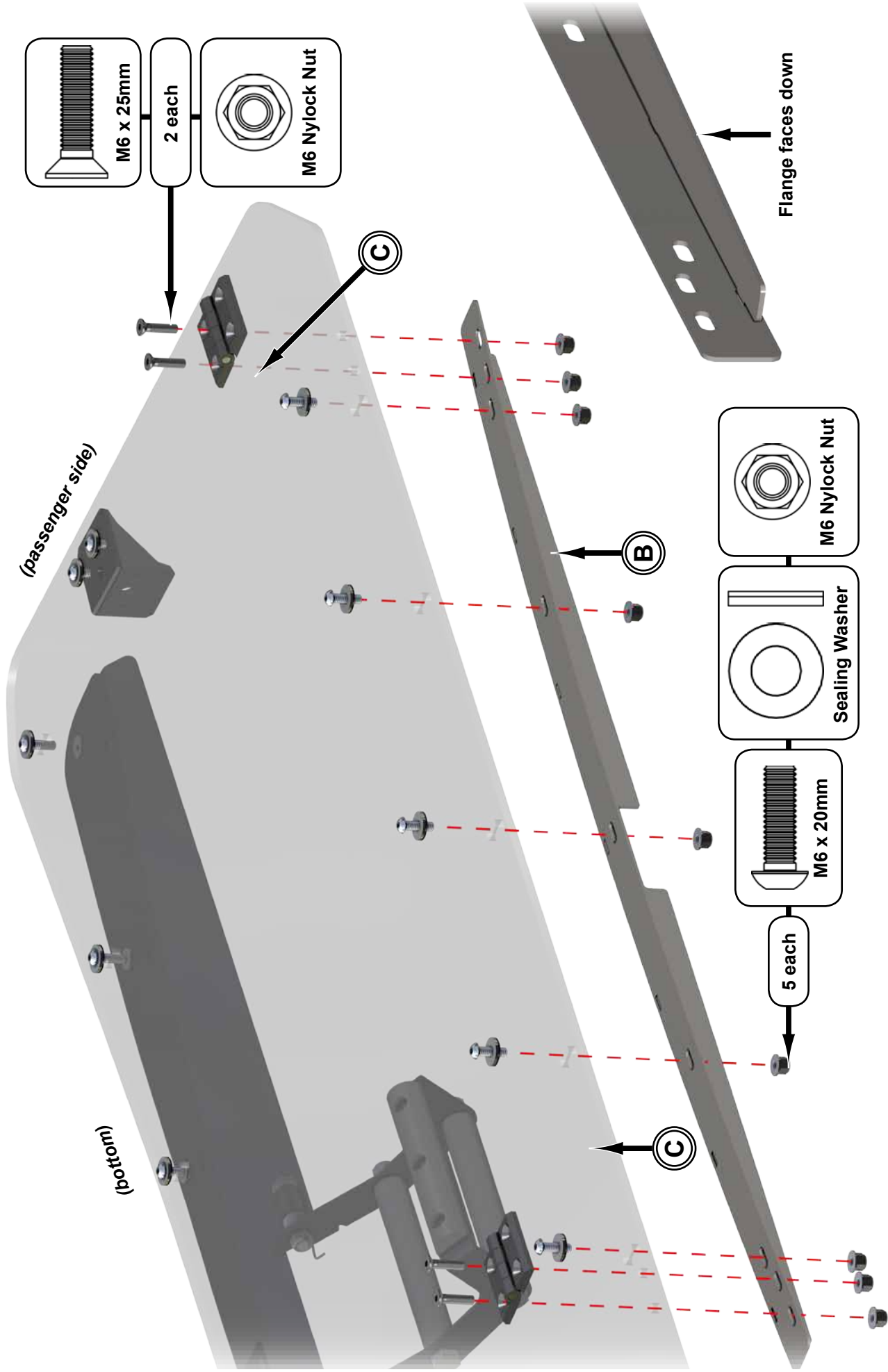


M6 Jam Nut

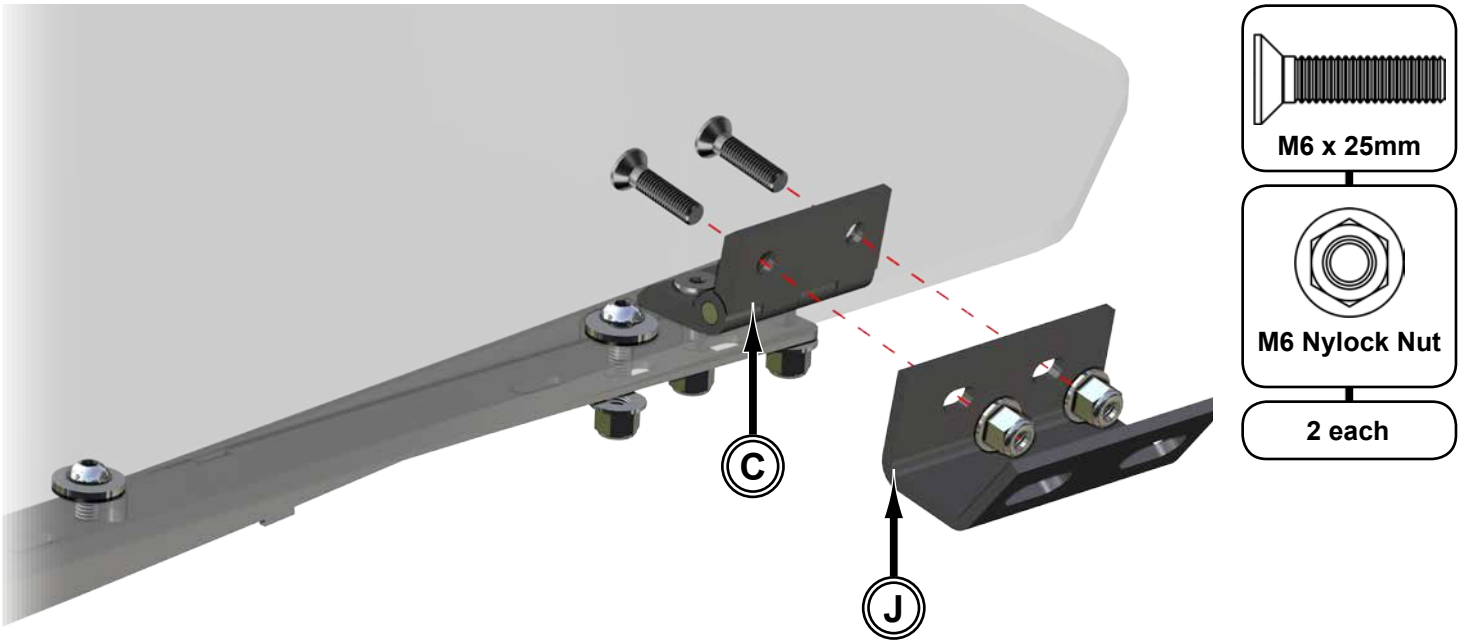


Rubber must face Windshield when installing Sealing Washer

- Install Top Frame (B) to Windshield with hardware shown.
- Install Hinges (C) to Windshield and Top Frame (B) with hardware shown.

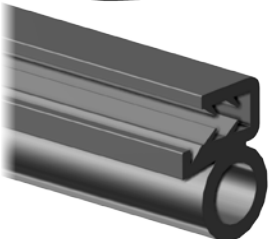
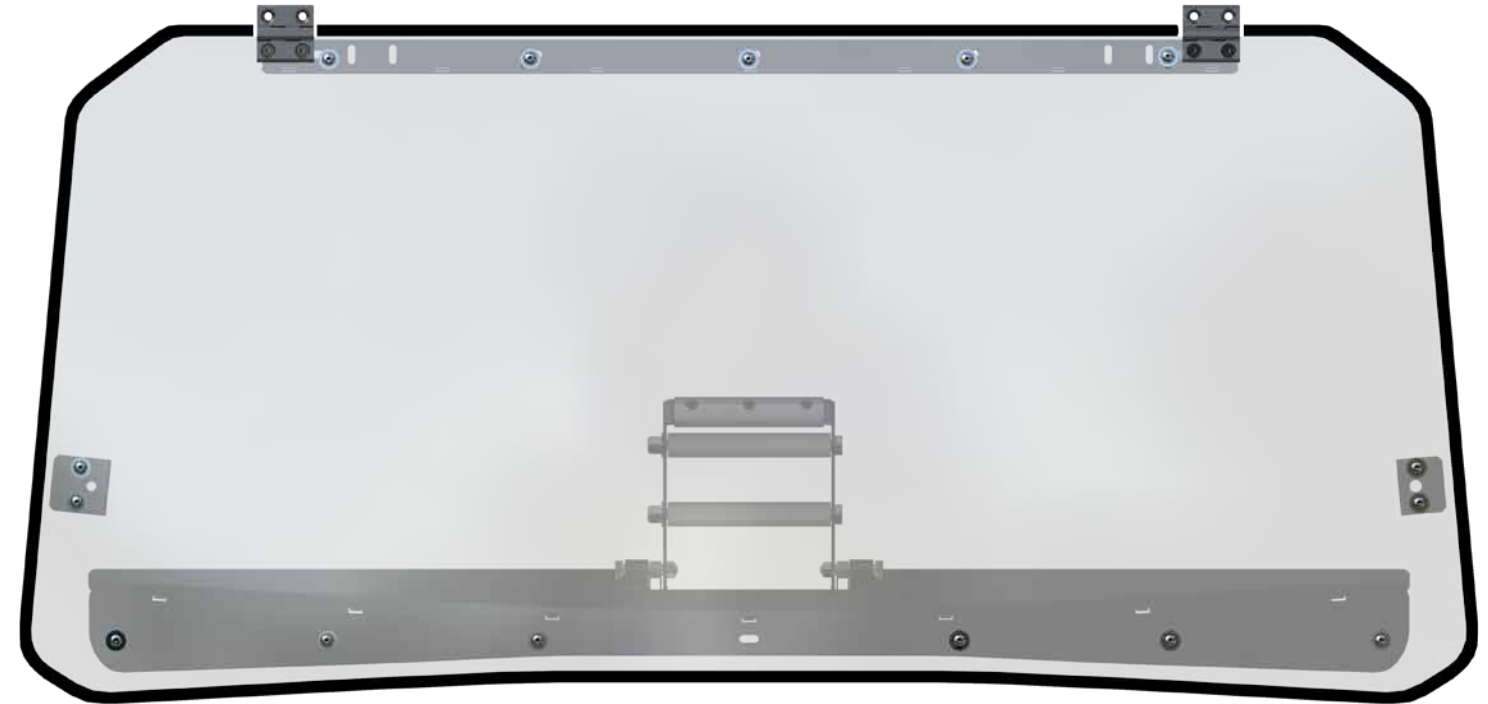


- Install Hinge Brackets (J) to Hinges (C) with hardware shown.



- Install Seal to Windshield in locations shown.

no Seal where Hinges (C) are located



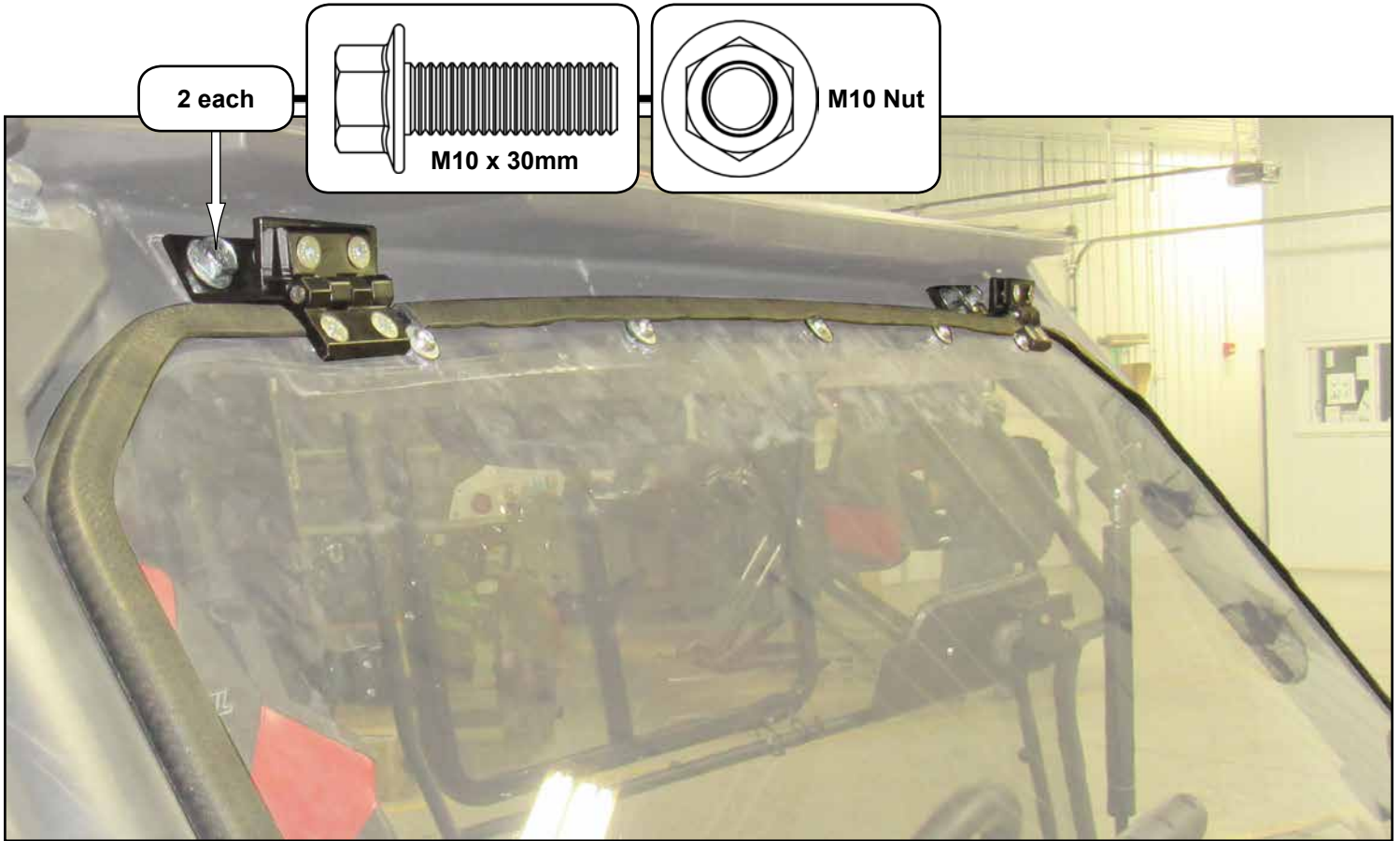
Seal



Bulb portion of Seal to always face towards vehicle

From this step forward, installation is easiest with an extra set of hands.

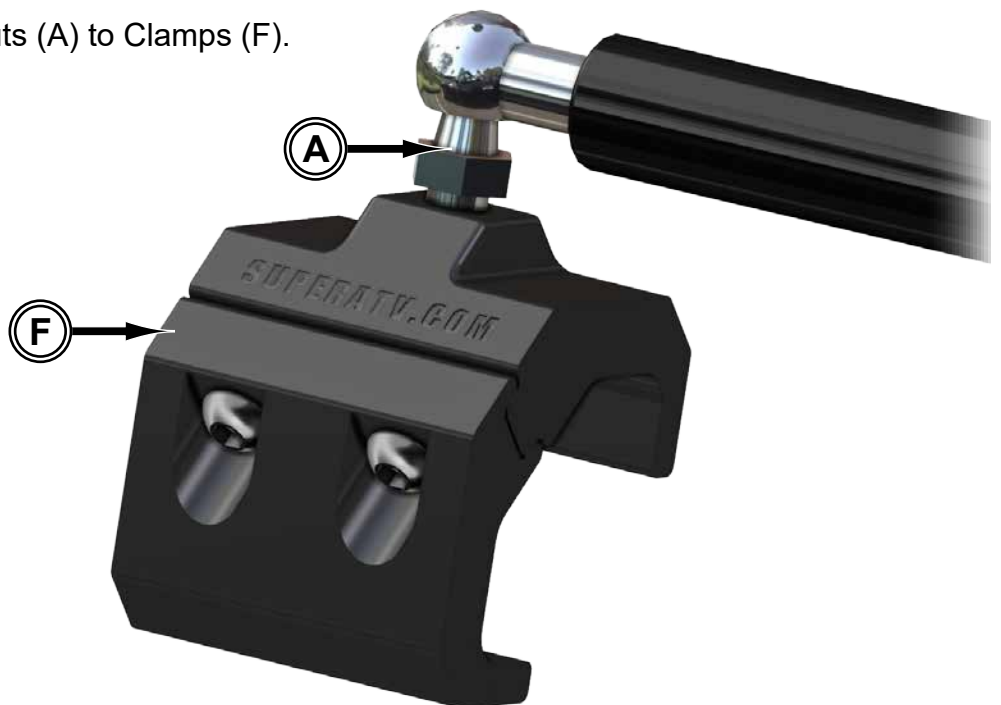
- Place Windshield onto machine.
- Secure Hinge Brackets (J) to Frame with hardware shown.



- Align to machine and tighten all hardware completely.



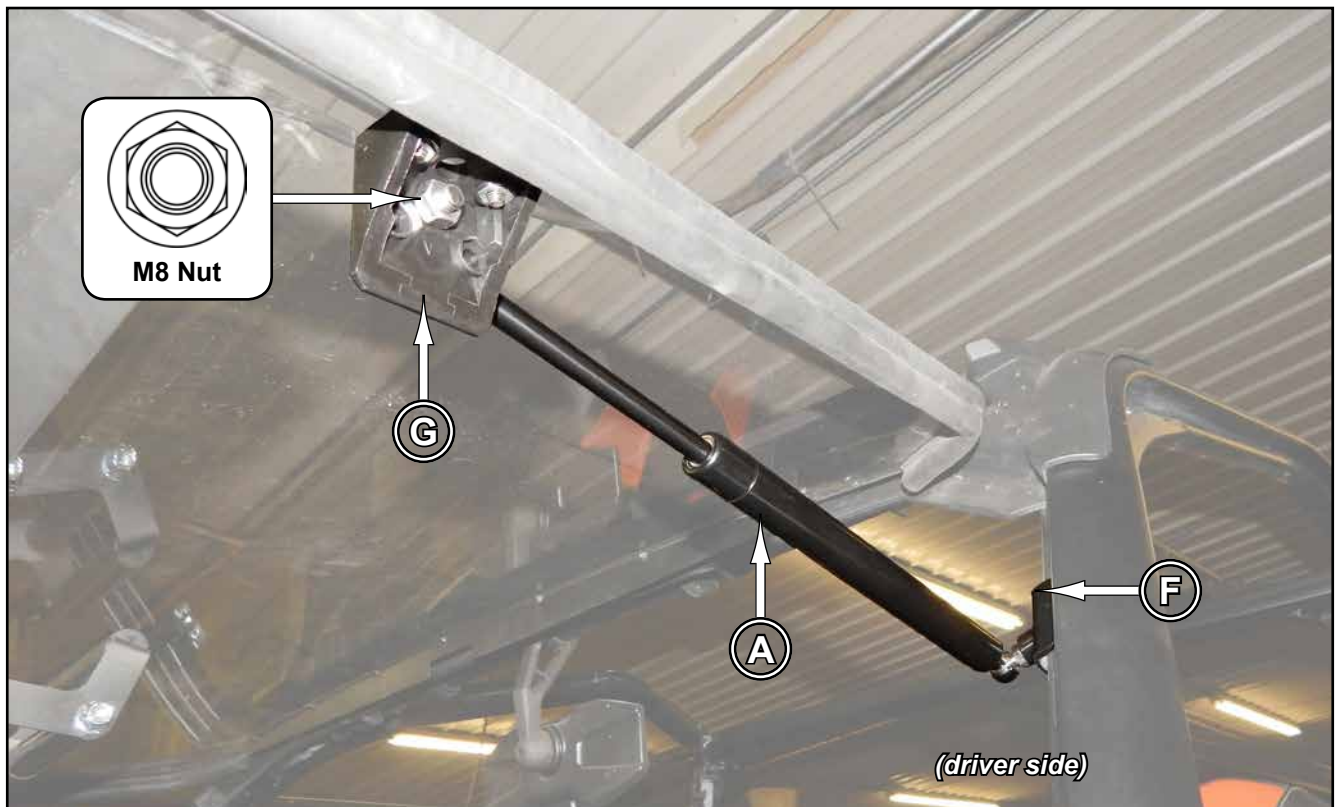
- Install Gas Struts (A) to Clamps (F).
- Set aside.



- Place Clamp (F) around Cab Frame as shown.
- Loosely secure with hardware shown.
- Repeat for opposite side.



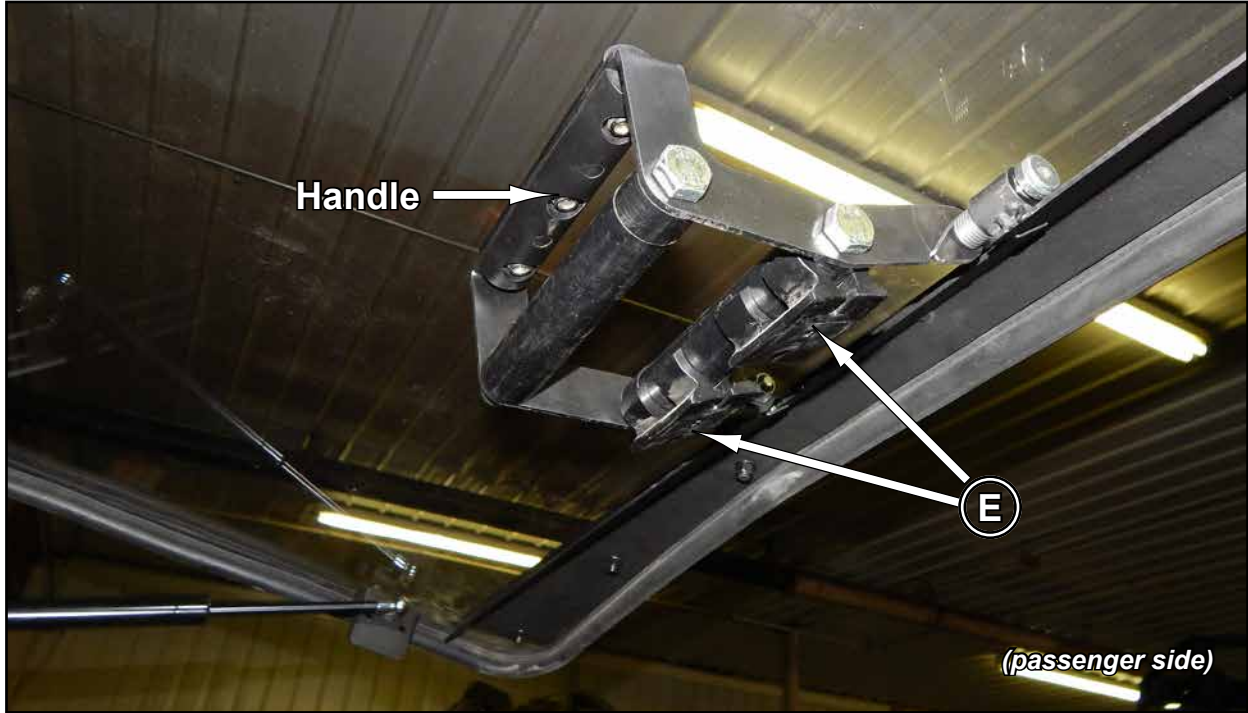
- Open Upper Windshield to slightly under 90° and secure Gas Struts (A) to Pivot Blocks (G) with hardware shown.
- Ensure that Windshield is level, when in "open" position, and tighten Clamp (F) hardware completely.



Tighten all hardware completely and reinstall Roof.

Catch (E) installation

- Install Catches (E) onto Handle.

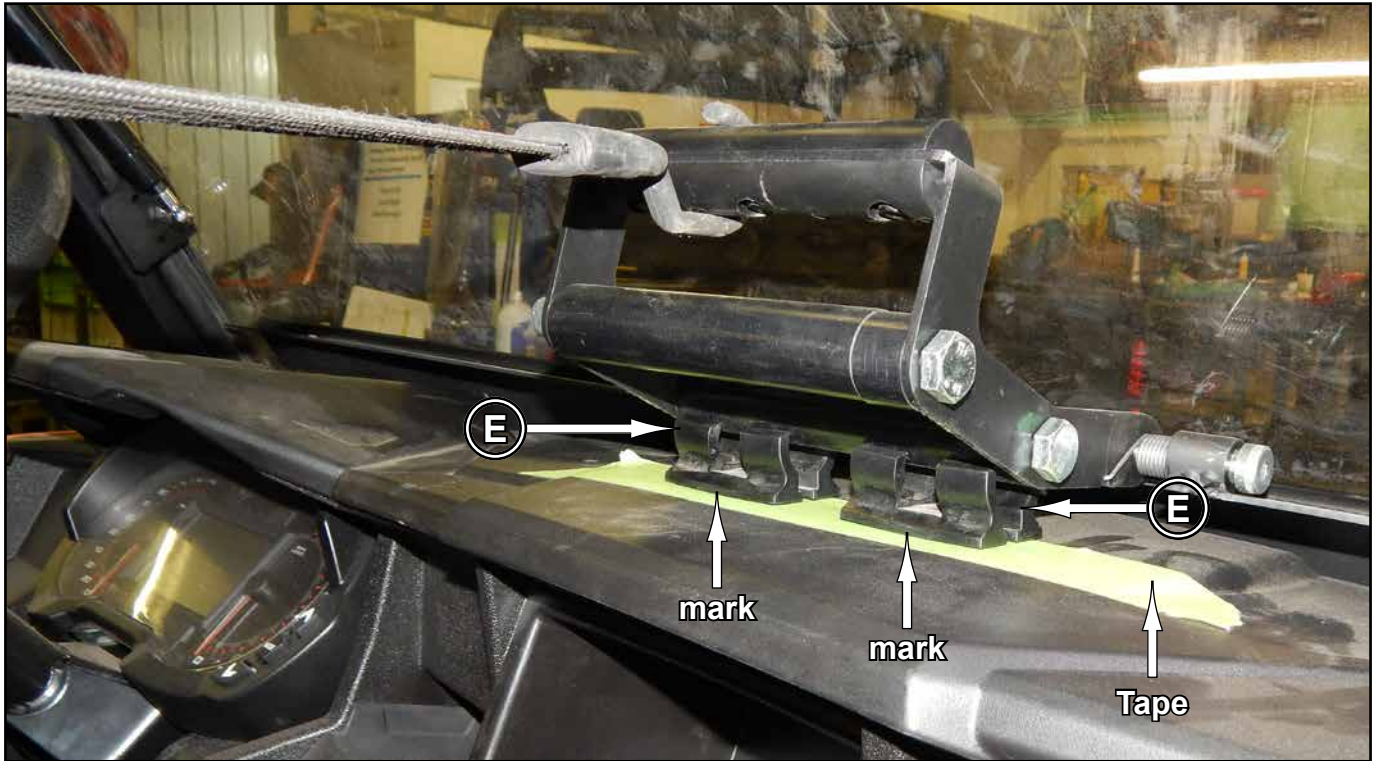


- Use a strap to keep Windshield in closed position.



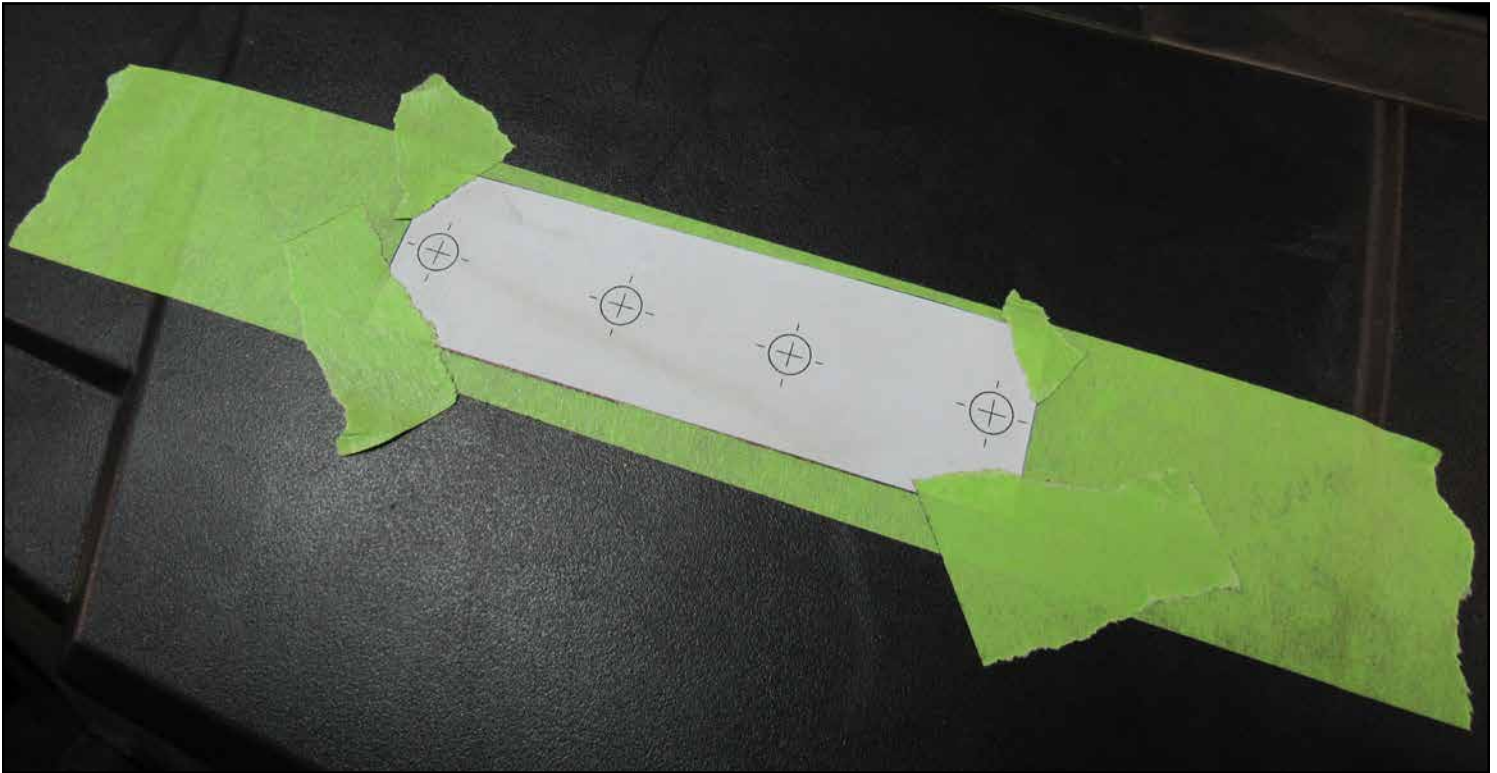
Catch (E) installation continued

- Place tape on Dash and mark rear most edges of Catch (E) locations.



Catch (E) installation continued

- Align and center Template (see last page) and tape in place.
- Drill (4) Ø7mm holes through Dash.

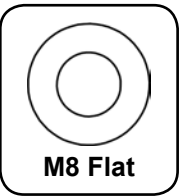
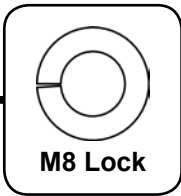
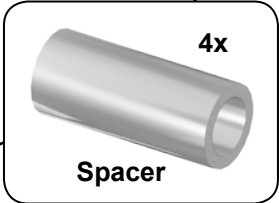
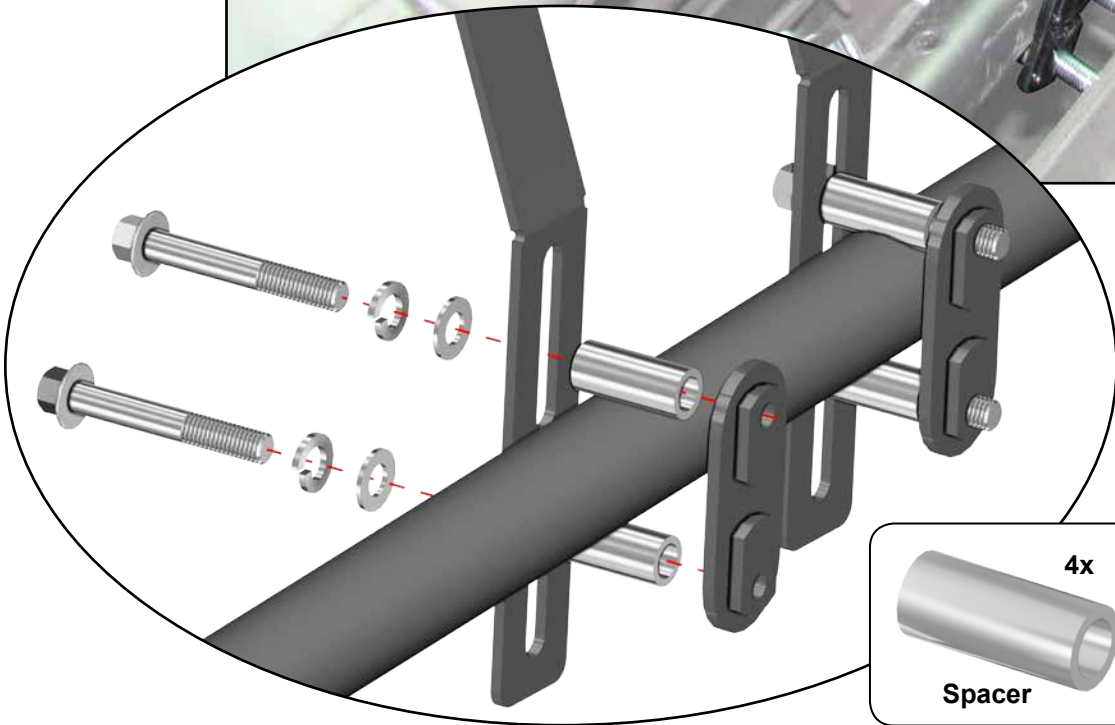


- Remove Dash.

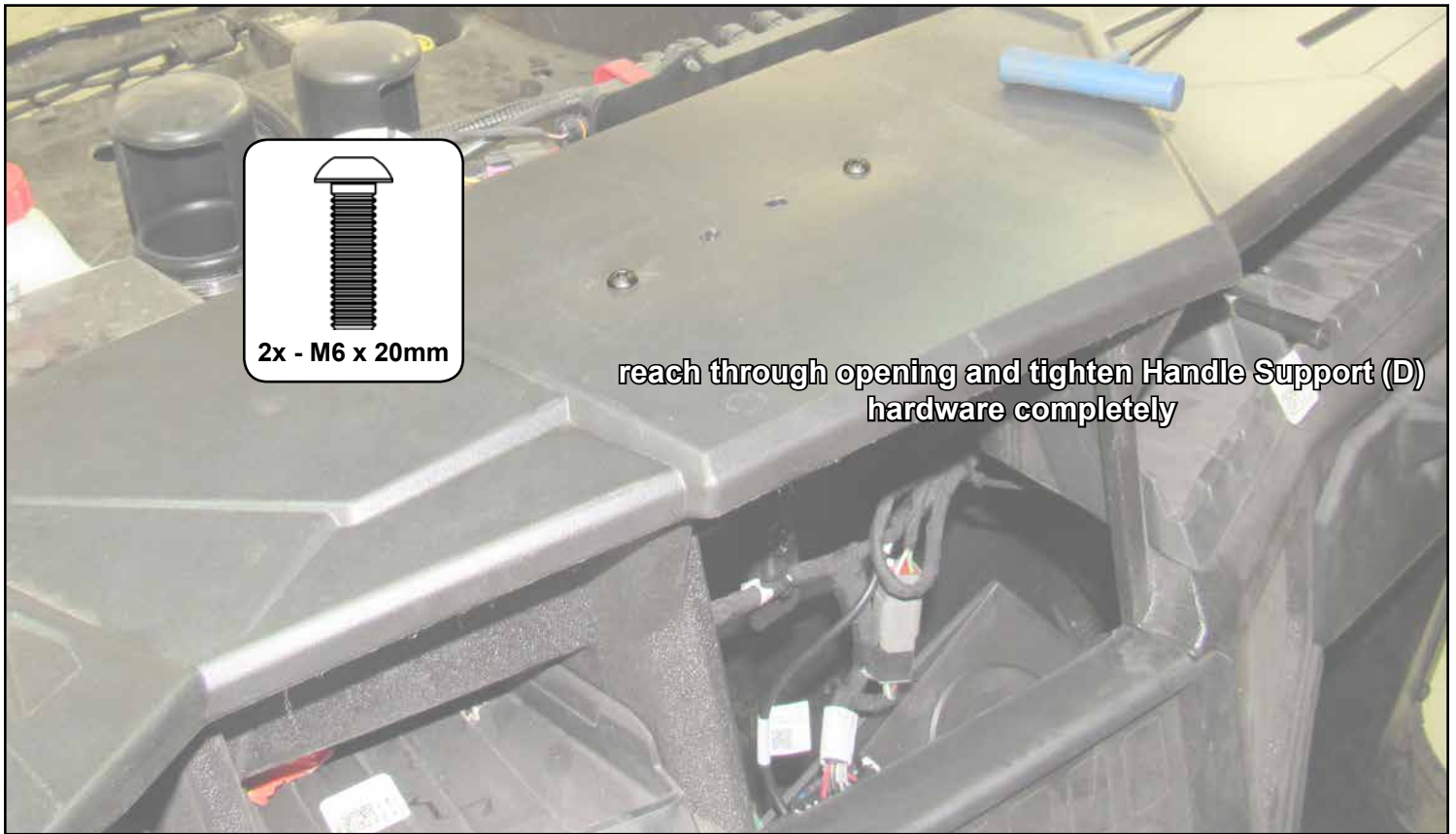


Catch (E) installation continued

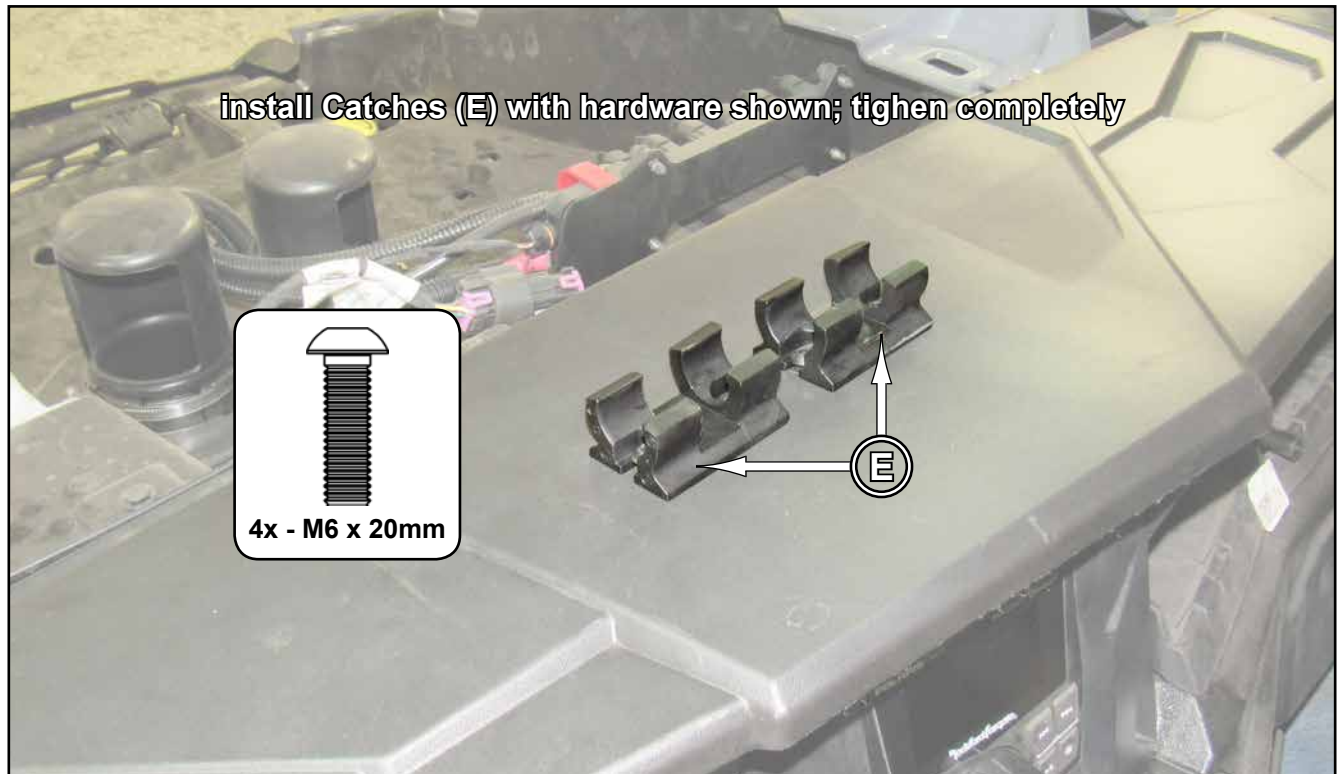
install Handle Support (D)
and Flat Catches (K)



- Reinstall Dash and install (2) outer screws; tighten completely.



- Remove screws and Dash.
- Reinstall Stereo components.
- Reinstall Dash.



Windshield Cleaning:

- Do not use Rain-X®, Plexus® or any other protector, wax, or polish.
 - Do not use window cleaning fluids (Windex, 409, etc) or any solvents (gasoline, denatured alcohol, acetone, etc).
 - Never use abrasive cleaners, abrasive pads, or gritty cloths.
 - Do not use a windshield wiper blade or install a motorized windshield wiper
 - Never use razor blades, scrapers, squeegees, brushes, etc.
1. Thoroughly rinse Windshield to float off dirt and mud.
 2. Using a soft cloth, or microfiber cloth, clean Windshield with warm water and a gentle detergent. Baby shampoo or hand washing soap are recommended.
 3. To prevent water spots, use a chamois to blot Windshield dry.

carefully cut out template

