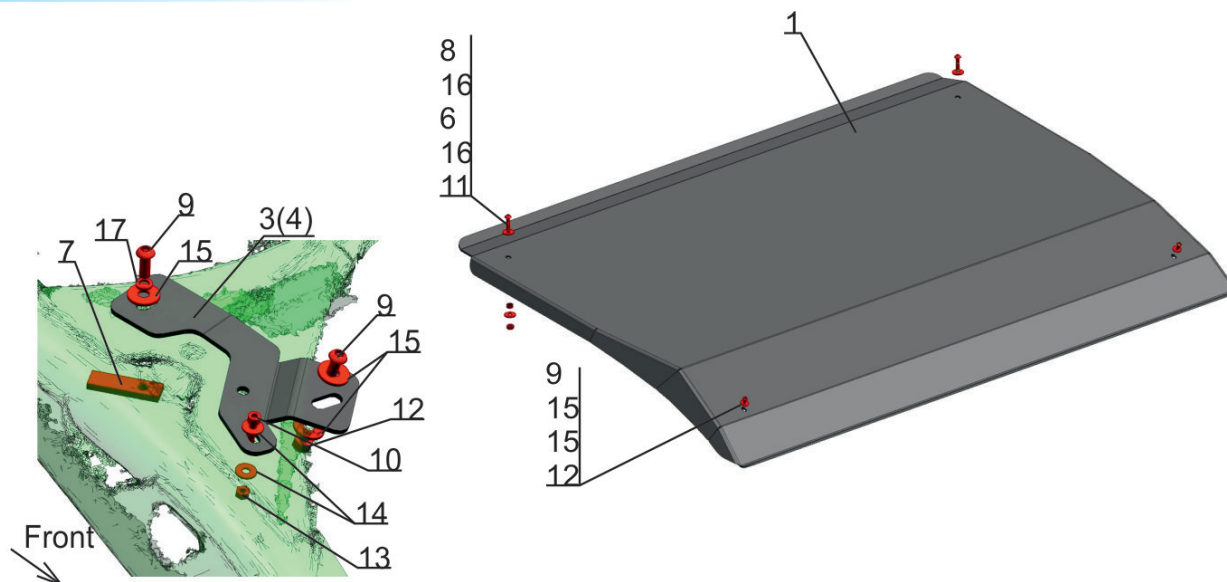


Can-am Maverick X3

Part NO: 2444.7248.1
Brand: Can-am
Model: Maverick X3
Year: 2017-
Material: Al, 4 mm

PARTS LISTING

1. Roof.....	1 pc	13. Nut M4.....	2 pc
2. Middle intrusion bars.....	1 pc	14. Washer 4.....	4 pc
3. Right side bracket.....	1 pc	15. Washer 6.....	6 pc
4. Left side braket.....	1 pc	16. Washer 8.....	4 pc
5. Roof sealing.....	1 pc	17. Spring washer 6.....	6 pc
6. Spacer	2 pc		
7. Insert nut M6.....	2 pc		
8. Screw M8x30.....	2 pc		
9. Screw M6x20.....	4 pc		
10. Screw M4x16.....	2 pc		
11. Nut M8.....	2 pc		
12. Nut M6.....	2 pc		



INSTALLATION MANUAL

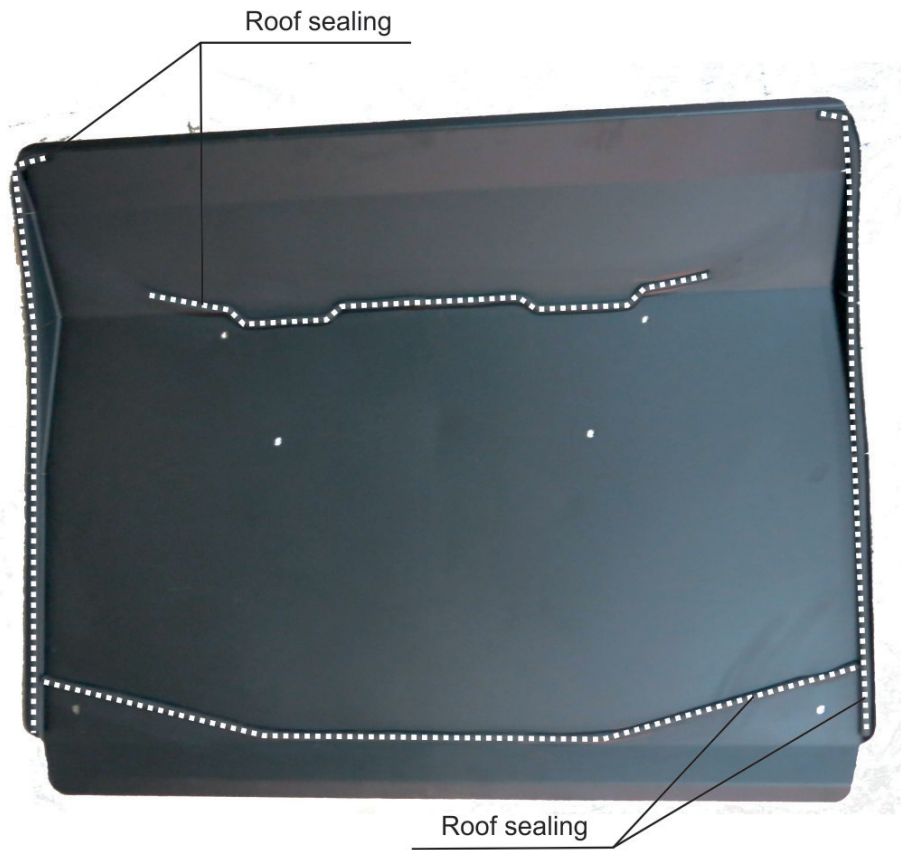
1. Remove the original upper tubes of cage by unscrewing 8 fitting nuts. Mount middle intrusion bars no.2 to the place of original ones using the original nuts.
2. Install Right-/ Left side brackets no.2, no.4 to the cage using screw M6x20 no.9, insert nuts M6 no.7, washers 6 no.15 and no.17, screws M4x16 no.10, nuts M4 no.13, washers 4 no.14. Tighten all screws.
3. Place the roof no.1 to the middle bars. Align the mounting holes of the roof, cage and brackets. Mark the position of the roof seal. Remove the roof. Degrease and heat the surface of the roof and then stick roof sealing no.5 (pic.1, 2, 3)
4. Mount the roof to the middle bars and then fix it using screws M8x30 no.8, nuts M8 no.11, spacers no.6 and washers 8 no.16.
5. Tighten all screws.

TOOLS REQUIRED



SCREW FORCE





pic.1



pic.2



pic.3