



INSTALLATION INSTRUCTIONS

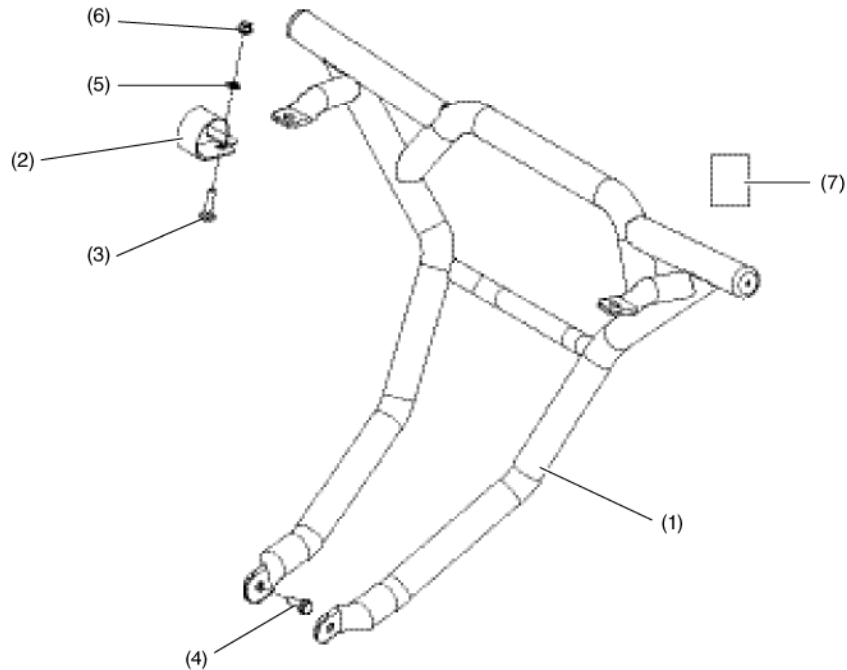
Accessory
ALUMINUM REAR BUMPER
 P/N OSP83-HL6-A00

Application
SXS1000S2X
SXS1000S2R

Publication No.
MII 16561
 Issue Date
March 2019

Honda Dealer: Please give a copy of these instructions to your customer.

PARTS LIST



No.	Description	Qty
(1)	Aluminum Rear Bumper	1
(2)	Clamp	2
(3)	35 mm Carriage bolt	2
(4)	12 x 25 mm Flange bolt	2
(5)	Washer	4
(6)	Flange nut	4
(7)	Installation Instruction URL	1

TORQUE CHART

Tighten all screws, bolts, and nuts to their specified torque values. Refer to the Service Manual for the torque values of the removed parts.

Item	N-m	kgf-m	lbf-ft
12 mm flange bolt	20	2.2	16
5 mm shoulder bolt (Original bolt)	4	0.4	2.95

TOOLS REQUIRED

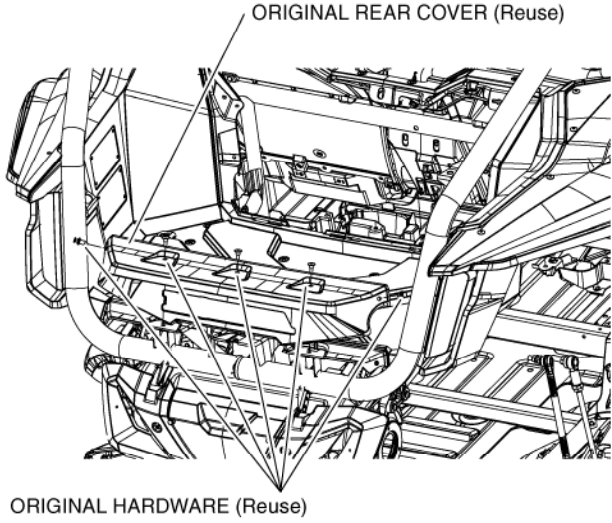
- Socket (12 mm)
- Ratchet
- Torque wrench
- Box-end wrench (12 mm)
- Hex wrench (5 mm)

INSTALLATION

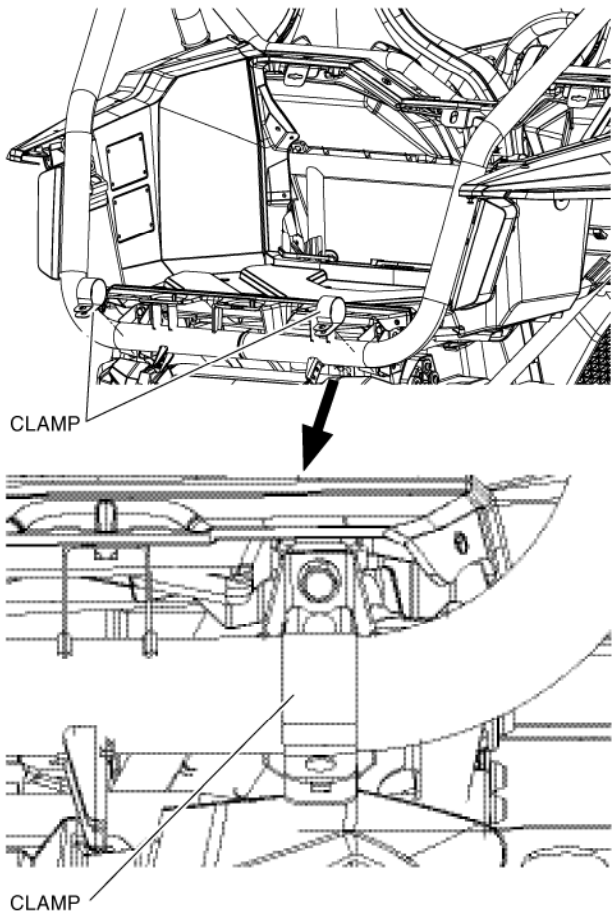
⚠ CAUTION

To prevent burns, allow the engine, exhaust system, radiator, etc., to cool before installing the accessory.

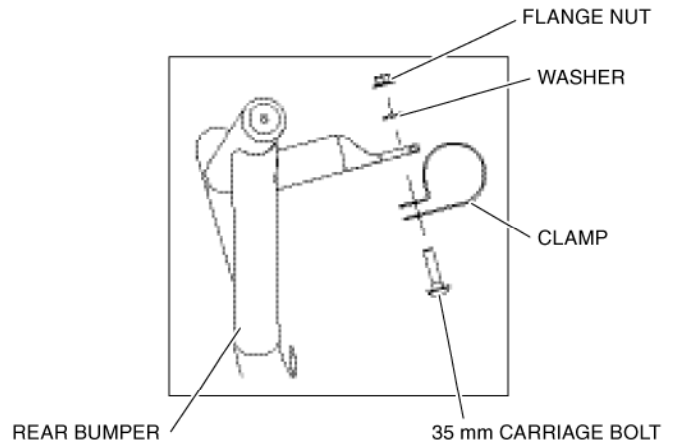
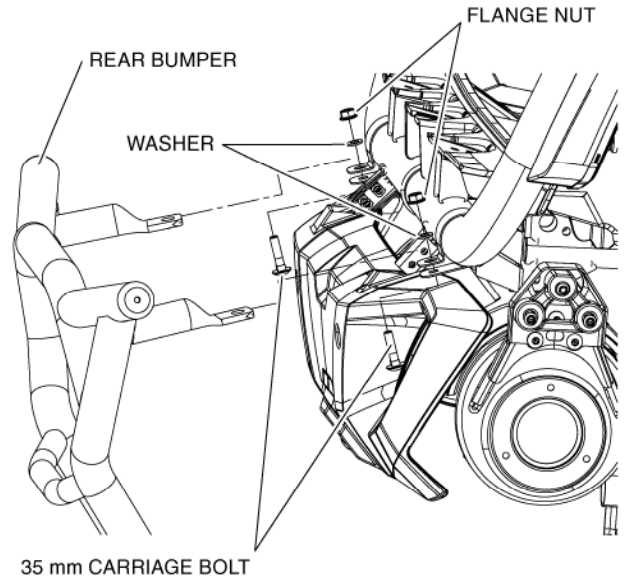
1. Remove the original rear cover and the original hardware from the rear tube as shown.



2. Install both clamps on the rear tube as shown.

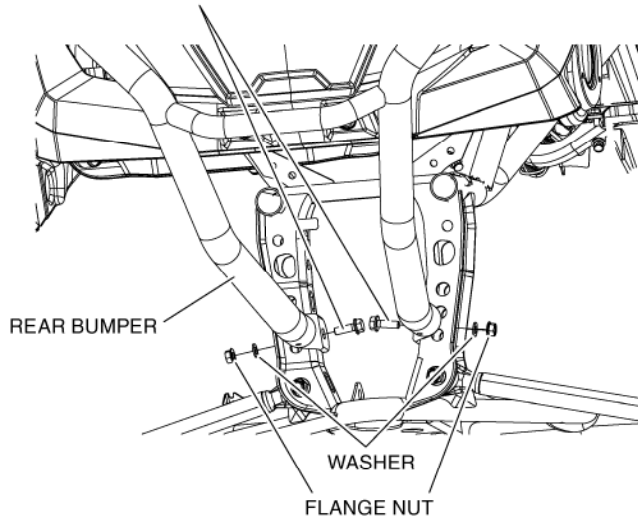


3. Loosely, install the top of the rear bumper on the top of the clamps using the 35 mm carriage bolts, washers and flange nuts as shown.



- Loosely, install the bottom of the rear bumper using the 12 × 25 mm flange bolts, washers and flange nuts as shown.

12 × 25 mm FLANGE BOLT



- Tighten all bolts to the values specified in the TORQUE CHART.
- Reinstall the original rear cover to the rear tube using the original hardware as shown. Tighten all hardware to the torque specification in the Service Manual.

